

GROUP
Q
OPTICAL EQUIPMENT

OPTICAL EQUIPMENT

CONTENTS

	Page
PERISCOPIC SIGHT, No. 3, Mk 1	Q1
TANK PERISCOPE, No. 17, Mk 3	Q1

LIST OF ILLUSTRATIONS

(NOTE: THE TEXT DOES NOT NECESSARILY INCLUDE ALL THE ITEMS REFERENCED)

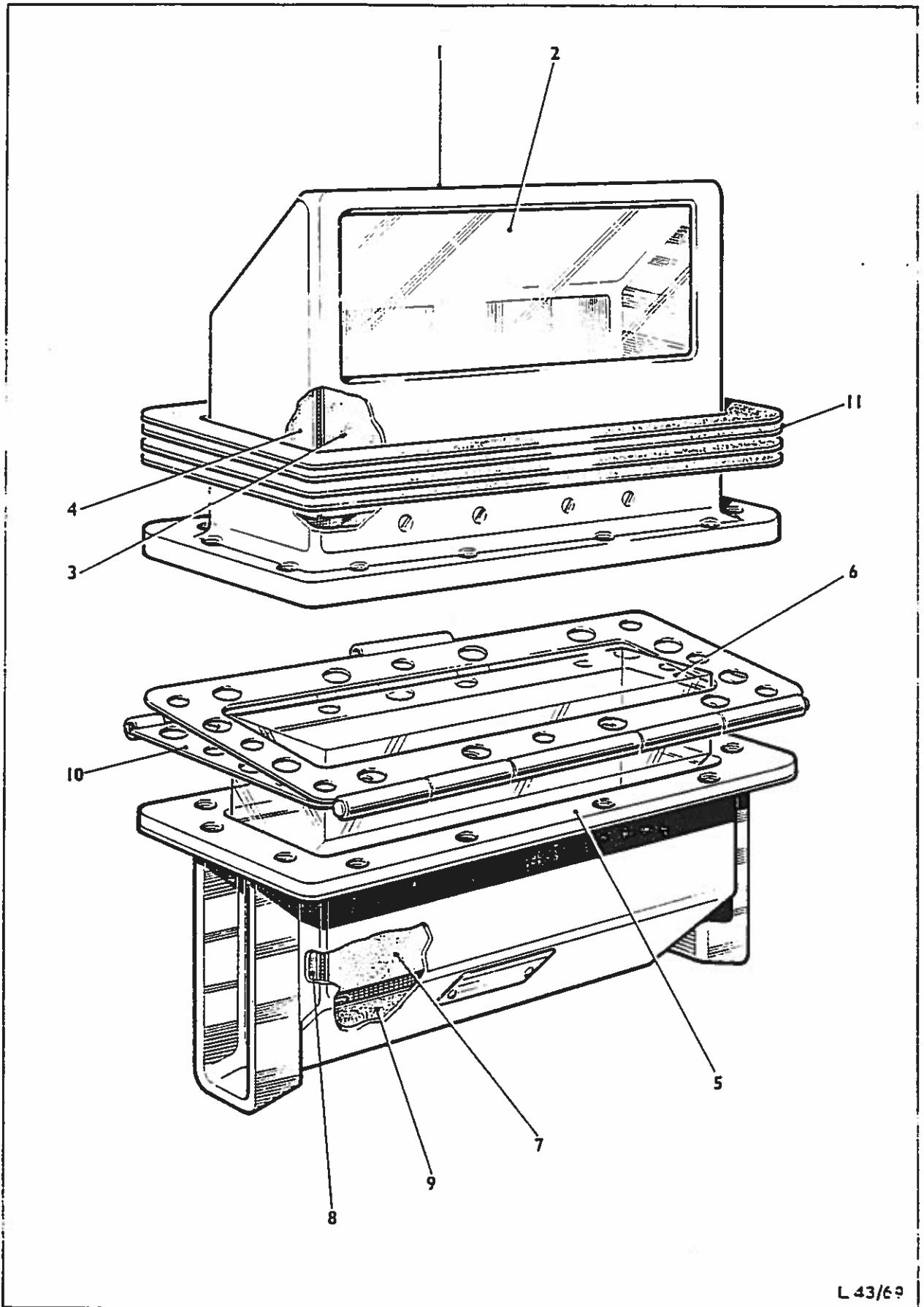
	Plate
PERISCOPIC SIGHT, No. 3, Mk 1	Q2
TANK PERISCOPE, No. 17, Mk 3	Q1

Item No.	Catalogue Number	Item Name	Item Description	No. Off	Plate Ref.	Drawing No.	Remarks
1						Q1	
2	V5FV/352752	PERISCOPE, TANK, No. 17, Mk 3		3	1-11		
3	V5FV/352753	PRISM OBJECT	top	3	1-4		
4	V5FV/31712	PRISM		3	2		
5	V5FV/350144	PACKING, PRISM	front	as req	3		
6	V5FV/378464	PACKING, PRISM	rear	3			
7	V5FV/378466	PACKING, PRISM	top	6			
8	V5FV/350141	PACKING, PRISM	side	6	4		
9	222B/12863	SCREW, MACHINE	BA, brass, csk hd, no. 8 x 1/4 in.	24			
10							
11	V5FV/352754	PRISM OCULAR	bottom	3	5-9		
12	V5FV/352751	PRISM		3	6		
13	V5FV/352761	PACKING, PRISM	front	6	7		
14	V5FV/352760	PACKING, PRISM	rear	3			
15	V5FV/352762	PACKING, PRISM	side	as req	8		
16	V5FV/352763	PACKING, PRISM	side	as req	8		
17	V5FV/397795	PACKING, PRISM	adjusting plate	3	9		
18	V5VE/2502	BAR, RETAINING, PRISM		6			
19	222B/12977	SCREW, MACHINE	BA, brass, csk hd, no. 8 x 3/16 in.	24			Retaining bar
20	G1/5305-99-941-3113	SCREW, MACHINE	BA, stainless steel, rd hd, slotted, no. 10 x 1/8 in.	6			Mod. plate
21	V5FV/352755	HINGE, PERISCOPE		3	10		
22	G1/5305-99-941-3377	SCREW, MACHINE	BA, steel, csk hd, slotted, zinc coated, no. 2 x 1/4 in.	24			Hinge to prism cases
23	222B/11561	SCREW, MACHINE	BA, steel, csk hd, slotted, no. 4 x 3/16 in.	36			
24	V5FV/352767	GASKET, PERISCOPE		12	11		
25							
26							
27	V5FT/155021	SIGHT, PERISCOPE, A.F.V. no. 3 Mk 1	Mk 2, Mk 2/3 and Mk 2/5 only	1	1-39		
28	V5FV/155067	PRISM OBJECT	top	1	1-13		
29	V5FV/235018	FRISM		1	2		
30	V5FV/155063	PACKING, PRISM	front	as req	3		
31	V5FV/155049	PACKING, PRISM	rear	3			
32	V5FV/155048	PACKING, PRISM	side	req	4		
33	V5FV/201241	PACKING, PRISM	top	3			
34	V5FV/155031	PRISM, GRATICULE MOUNT		1	5		
35	V5FV/155064	PACKING, PRISM	graticule mount, front	as req	6		
36	V5FV/155047	PACKING, PRISM	graticule mount, rear	7			
37	V5FV/155050	PACKING, PRISM	graticule mount, side	req	8		
38	V5FV/155039	STOP, LIGHT, GRATICULE		1	9		
39	NP	MOUNT, GRATICULE		1	10-13		
40	V5FV/155029	GRATICULE		1	11		FV155044
41	V5FV/155045	WASHER, FLAT	3/8 in. id x 1/2 in. od x 1/64 in. thk	1	12		
42	V5FV/155037	RING, RETAINING		1	13		
43	22/5305-99-943-6340	SCREW, MACHINE	BA, steel, flat fillister hd, Cd plated, no. 8 x 3/16 in.	16			
44	V5FV/155066	MOUNT, OBJECT GLASS		1	14-22		
45	V5FV/155034	LENS, OBJECT GLASS		1	15		
46	G1/5305-99-941-6859	SCREW, SET	BA, steel, hex socket hd, cup point, Cd plated, no. 6 x 5/16 in.	1	16		Lens to mount
47	V5FV/155040	REFLECTOR, FIXED		1			
48	V5FV/333562	SCREW, SHOULDER	reflector strips to mount	4	19		
49							
50	V5FV/327852	REFLECTOR, ADJUSTABLE		1	20		
51	V5FV/155058	SPRING, HELICAL, COMPRESSION	adjustable reflector	1	21		
52	V5FV/155062	LEVER, ADJUSTING, REFLECTOR		1	22		
53	22/5305-99-100-6166	SCREW, MACHINE	BA, steel, flat fillister hd, Cd plated, no. 6 x 1/4 in.	4			Mount to prism
54							
55	V5FV/155058	FRISM, OCULAR		1	25-37		
56	V5FV/327850	PLATE, RECORD, MODIFICATION		1			
57	G1/5305-99-941-8821	SCREW, MACHINE	BA, steel, rd hd, Cd plated, no. 10 x 3/16 in.	2			Record plate to case
58	V5FV/235018	FRISM		1	26		
59	V5FV/155063	PACKING, PRISM	front	as req	27		
60	V5FV/155049	PACKING, PRISM	rear	27			
61	V5FV/155048	PACKING, PRISM	side	req	28		

Item No.	Catalogue Number	Item Name	Item Description	No. Off	Plate Ref.	Drawing No.	Remarks
1		SIGHT - contd			Q2		
2		PRISM, OCULAR - contd					
3	G1/5305-99-941-7932	SCREW, MACHINE	BA, steel, csk hd slotted, Cd plated, no. 8 x 3/16 in	8			} Prism retaining bars
4	V5FV/158056	SPRING, CLICKER		1	29		
5	Z2ZB/12842	SCREW, MACHINE	BA, steel, rd hd, no. 4 x 3/16 in.	2	30		} Clicker fixing
6	V5FV/158065	ADJUSTOR, REFLECTOR		1	31-36		
7	V5FV/158053	SCREW, ADJUSTING		1	31		
8	V5FV/158051	NUT, ADJUSTING SCREW		1	32		
9	LV6MT1/C7/05002510/R19	SEAL, OIL	1/4 in. id x 1/2 in. od x 7/64 in. thk	2	33		
10	Z2/5310-99-913-1368	NUT, FLAIN, HEXAGON	BA, steel, lock, Cd plated, no. 0	1	36		
11	Z2/5305-99-941-7933	SCREW, MACHINE	BA, steel, flat fillister hd, Cd plated, no. 2 x 7/32 in.	1			} Dedicating screw ocular prism to object prism
12	H9/5330-99-943-1509	RING, SEALING	BA, no. 2	1			
13	V5FV/159028	WASHER, PACKING		1	37		
14	G1/5305-99-941-7913	SCREW, CAP	BA, steel, hex socket hd, zinc coated, no. 4 x 1/2 in	10			
15	V5FV/158057	RING, SEALING		1	38		

TANK PERISCOPE, No.17, MK.3

QI



L 43/69

