

**GROUP**  
**Z**  
**COMMUNICATION**  
**INSTALLATION**

# COMMUNICATIONS INSTALLATION

## CONTENTS

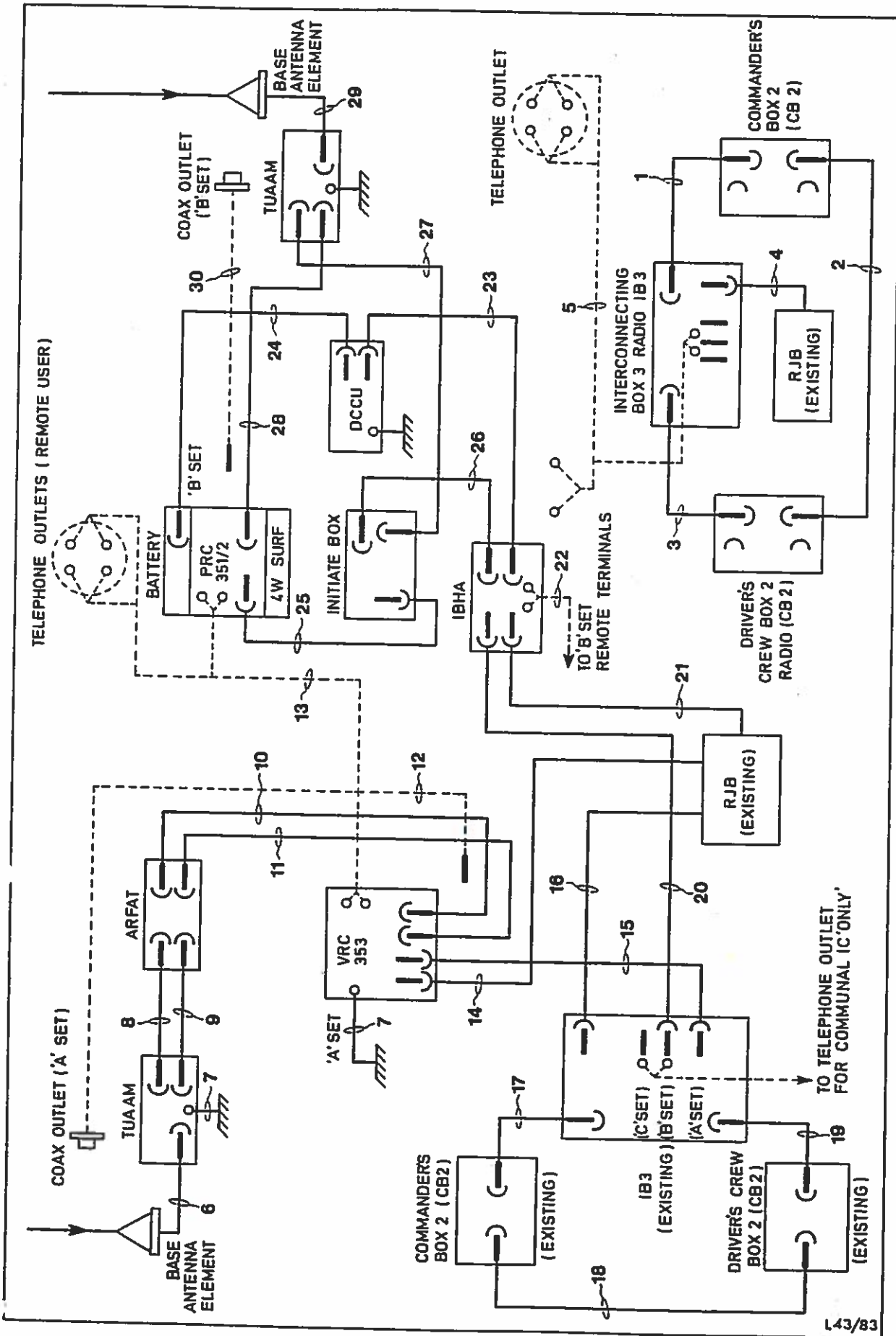
	Page
CABLE INTERCONNECTING ... ..	Z2
CABLE RADIO INSTALLATION ... ..	Z1
RADIO AND COMMUNICATION ... ..	Z7

## LIST OF ILLUSTRATIONS

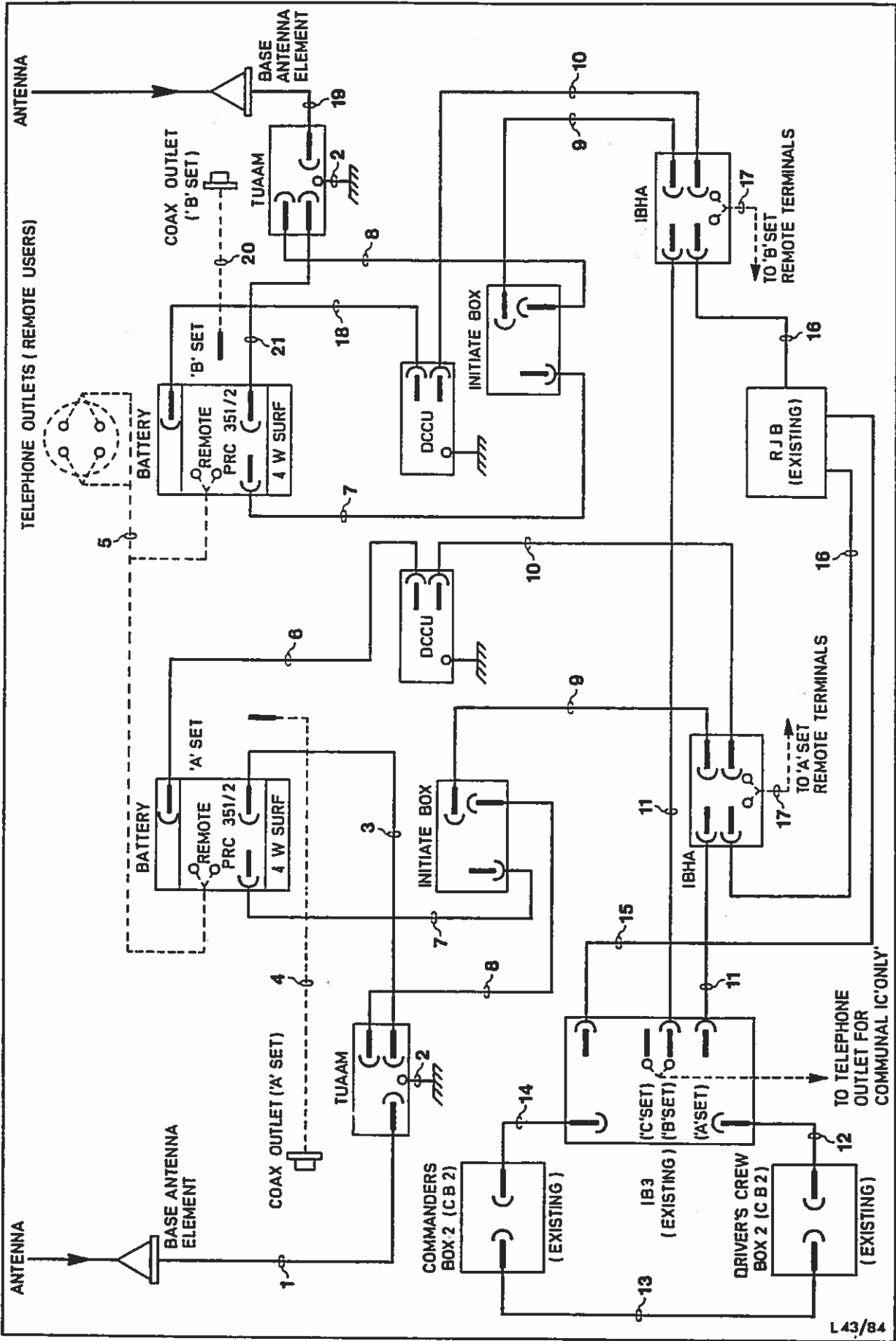
(NOTE:- THE TEXT DOES NOT NECESSARILY INCLUDE ALL THE ITEMS REFERENCED)

	Plate
WIRING DIAGRAM ... ..	Z1
WIRING DIAGRAM ... ..	Z2

# WIRING DIAGRAM



Item No.	Catalogue Number	Item Name	Item Description	No. Off	Plate Ref.	Drawing No.	Remarks
1						Z1	
2							
3	Z42/5995-99-966-0001	RADIO INSTALLATION - CABLE ASSEMBLY, SPECIAL PURPOSE, ELECTRICAL	basic clansman IB3 to CB2 (commanders)	1	1	FV745757/ 133	
4	Z42/5995-99-966-0003	CABLE ASSEMBLY, SPECIAL PURPOSE, ELECTRICAL	CB2 (commanders) to CB2 (drivers)	1	2	FV745757/ 134	
5	Z42/5995-99-966-0004	CABLE ASSEMBLY, SPECIAL PURPOSE, ELECTRICAL	IB3 to CB2 (drivers)	1	3	FV745757/ 135	
6	Z42/5995-99-966-0002	CABLE ASSEMBLY, POWER, ELECTRICAL	RJB to IB3	1	4	FV745757/ 31	
7	Z42/5995-99-965-7942	CABLE ASSEMBLY, SPECIAL PURPOSE, ELECTRICAL	telephone outlet cable VRC 353 (A set), PRC 351/2 (B set)	1	5	FV563834/ 5	
8		INTERCONNECTING INSTALLATION					
9	NP	CABLE ASSEMBLY	TUAAM to antenna base	1	6	FV745829/ 1	) A set
10	LV6MT4/2590-99-896-0213	HARNESS, CABLE		2	7	FV166727/ 3	
11	Z42/5995-99-965-7949	CABLE ASSEMBLY, POWER ELECTRICAL	ARFAT-TUAAM	1	8	FV745837/ 33	
12	Z42/5995-99-965-7950	CABLE ASSEMBLY, RADIO FREQUENCY	ARFAT (A) - front TUAAM	1	9	FV745811/ 83	
13	Z42/5995-99-965-7947	CABLE ASSEMBLY, RADIO FREQUENCY	UK/RT 353 - ARFAT	1	10	FV745811/ 82	
14	Z42/5995-99-965-7948	CABLE ASSEMBLY, POWER ELECTRICAL	UK/RT 353 - ARFAT	1	11	FV745757/ 131	
15	Z42/5995-99-965-7952	CABLE ASSEMBLY, RADIO FREQUENCY	UK/RT 353 (A) CO-AX outlet	1	12	FV745829/ 29	
16	Z42/5995-99-965-7942	CABLE ASSEMBLY, SPECIAL PURPOSE ELECTRICAL	telephone outlet cable	1	13	FV563834/ 5	
17	Z42/5995-99-965-8955	CABLE ASSEMBLY, POWER ELECTRICAL	UK/RT 353 - RJB	1	14	FV943775/ 2	
18	Z42/5995-99-965-8956	CABLE ASSEMBLY, SPECIAL PURPOSE, ELECTRICAL	UK/RT 353 - IB 2/3	1	15	FV745731/ 68	
19	Z42/5995-99-966-0002	CABLE ASSEMBLY, POWER ELECTRICAL	RJB to IB3	1	16	FV745757/ 31	
20	Z42/5995-99-966-0001	CABLE ASSEMBLY, SPECIAL PURPOSE, ELECTRICAL	IB3 to CB2 (commanders)	1	17	FV745757/ 133	
21	Z42/5995-99-966-0003	CABLE ASSEMBLY, SPECIAL PURPOSE, ELECTRICAL	CB2 (commanders) to CB2 (drivers)	1	18	FV745757/ 134	
22	Z42/5995-99-966-0004	CABLE ASSEMBLY, SPECIAL PURPOSE, ELECTRICAL	IB3 to CB2 (drivers)	1	19	FV745757/ 135	
23	Z42/5995-99-965-8943	CABLE ASSEMBLY, SPECIAL PURPOSE, ELECTRICAL	IBHA - IB3	1	20	FV943774/ 1	
24	Z42/5995-99-965-8952	CABLE ASSEMBLY, POWER ELECTRICAL	IBHA - RJB	1	21	FV943775/ 1	
25	Z42/5995-99-965-8953	CABLE ASSEMBLY, POWER ELECTRICAL	UK/PRC 351 - IBHA	1	22	FV167997/ 30	
26	Z42/5995-99-965-8949	CABLE ASSEMBLY, POWER ELECTRICAL	IBHA - DCCU	1	23	FV943760/ 7	
27	NP	CABLE ASSEMBLY, SPECIAL PURPOSE, ELECTRICAL	B set - DCCU	1	24	FV745826	
28	Z42/5995-99-965-7957	CABLE ASSEMBLY, SPECIAL PURPOSE, ELECTRICAL	UK/PRC 351/2 - initiate box	1	25	FV943756/ 4	
29	Z42/5995-99-965-8954	CABLE ASSEMBLY, SPECIAL PURPOSE, ELECTRICAL	IBHA - initiate box	1	26	FV745817/ 21	
30	Z42/5995-99-965-8600	CABLE ASSEMBLY, POWER ELECTRICAL		1	27	FV745837/ 34	
31	Z42/5995-99-965-7959	CABLE ASSEMBLY, RADIO FREQUENCY	PRC/amp (B) - TUAAM	1	28	FV745811/ 87	
32	Z42/5995-99-965-0005	CABLE ASSEMBLY, RADIO FREQUENCY	TUAAM to antenna base	1	29	FV745829/ 39	
33	Z42/5995-99-965-7953	CABLE ASSEMBLY, RADIO FREQUENCY	UK/RT 353 (B) - COAX outlet	1	30	FV745829/ 30	



Item No.	Catalogue Number	Item Name	Item Description	No. Off	Plate Ref.	Drawing No.	Remarks
1						Z2	
2		RADIO INSTALLATION - Contd					
3		INTERCONNECTING INSTALLATION	PRC 351/2 (A set) - PRC 351/2 (B set)				
4	NP	CABLE ASSEMBLY	TUAAM to antenna base	1	1	FV745829/ 1	) A set
5	LV6MT4/2590-99-896-0213	CABLE, HARNESS	bonds DCCU and TUAAM to vehicle	2	2	FV166727/ 3	
6	Z42/5995-99-965-7958	CABLE ASSEMBLY, RADIO FREQUENCY	PRC/AMP (A) - TUAAM	1	3	FV745811/ 86	
7	Z42/5995-99-965-7952	CABLE ASSEMBLY, RADIO FREQUENCY	UK/RT 353 (A) CO-AX outlet	1	4	FV745829/ 29	
8	Z42/5995-99-965-7942	CABLE ASSEMBLY, SPECIAL PURPOSE, ELECTRICAL	TTB - set A - set B	1	5	FV563834/ 5	
9	Z42/5995-99-965-6438	CABLE ASSEMBLY, SPECIAL PURPOSE, ELECTRICAL	A set to DCCU	1	6	FV745826/ 5	
10	Z42/5995-99-965-7957	CABLE ASSEMBLY, SPECIAL PURPOSE, ELECTRICAL	UK/PRC 351/2 - initiate box	2	7	FV943756/ 4	
11	Z42/5995-99-965-8600	CABLE ASSEMBLY, POWER ELECTRICAL	initiate box - TUAAM	2	8	FV745837/ 34	
12	Z42/5995-99-965-8954	CABLE ASSEMBLY, SPECIAL PURPOSE, ELECTRICAL	initiate box - IBHA	2	9	FV745817/ 21	
13	Z42/5995-99-965-8949	CABLE ASSEMBLY, POWER ELECTRICAL	IBHA - DCCU	2	10	FV943760/ 7	
14	Z42/5995-99-965-8948	CABLE ASSEMBLY, SPECIAL PURPOSE, ELECTRICAL	IBHA - IB2/3	2	11	FV943774/ 1	
15	Z42/5995-99-966-0004	CABLE ASSEMBLY, SPECIAL PURPOSE, ELECTRICAL	IB3 to CB2 (drivers)	1	12	FV745757/ 135	
16	Z42/5995-99-966-0005	CABLE ASSEMBLY, SPECIAL PURPOSE, ELECTRICAL	CB2 (commanders) to CB2 (drivers)	1	13	FV745757/ 134	
17	Z42/5995-99-966-0001	CABLE ASSEMBLY, SPECIAL PURPOSE, ELECTRICAL	IB3 to CB2 (commanders)	1	14	FV745757/ 133	
18	Z42/5995-99-966-0002	CABLE ASSEMBLY, POWER ELECTRICAL	RJB to IB3	1	15	FV745757/ 31	
19	Z42/5995-99-965-8952	CABLE ASSEMBLY, POWER ELECTRICAL	IBHA - RJB	2	16	FV943775/ 1	
20	Z42/5995-99-965-8953	CABLE ASSEMBLY, POWER ELECTRICAL	UK/PRC 351 - IBHA	2	17	FV167997/ 30	
21	NP	CABLE ASSEMBLY, SPECIAL PURPOSE, ELECTRICAL	B set - DCCU	1	18	FV745826	
22	Z42/5995-99-966-0005	CABLE ASSEMBLY, RADIO FREQUENCY	TUAAM to antenna base	1	19	FV745829/ 39	
23	Z42/5995-99-965-7953	CABLE ASSEMBLY, RADIO FREQUENCY	UK/RT 353 (B) COAX outlet	1	20	FV745829/ 30	
24	Z42/5995-99-965-7959	CABLE ASSEMBLY, RADIO FREQUENCY	PRC/AMP (B) - TUAAM	1	21	FV745811/ 87	

Item No.	Catalogue Number	Item Name	Item Description	No. Of:	Plate Ref.	Drawing No.	Remarks
1		RADIO INSTALLATION - Contd					
2		HARNESSES -					
3	242/5995-99-966-0001	CABLE ASSEMBLY, SPECIAL PURPOSE, ELECTRICAL		A/R		FV745757/133	
4	21/5330-99-647-3001	GASKET		2		FV797825	
5	232/5935-99-647-3002	ELBOW, ELECTRICAL	c/w nut	2		FV797848	
6	242/5975-99-647-3003	SLEEVE, CABLE		2		FV797828	
7	21/5340-99-647-3004	COMPRESSION, RING		2		FV797857	
8	21/5330-99-647-3005	GASKET		2		FV797890	
9	21/5340-99-647-3006	THRUST, RING		2		FV797863	
10	21/9905-99-647-0560	PLATE, IDENTIFICATION	Al, 0.575 in. w x 1.000 in. lg x 0.028 in. thk	A/R		FV(S) 7-2-1	
11	LV6MT4/5340-99-205-6507	BUCKLE STRAP, METALLIC	Al, 2-1/2 in. lg	A/R		FV(S) 7-3-1	
12	242/5995-99-966-0003	CABLE ASSEMBLY, SPECIAL PURPOSE, ELECTRICAL		A/R		FV745757/134	
13	21/5330-99-647-3001	GASKET		2		FV797825	
14	232/5935-99-647-3002	ELBOW, ELECTRICAL	c/w nut	2		FV797848	
15	242/5975-99-647-3003	SLEEVE, CABLE		2		FV797828	
16	21/5340-99-647-3004	COMPRESSION, RING		2		FV797857	
17	21/5330-99-647-3005	GASKET		2		FV797890	
18	21/5340-99-647-3006	THRUST, RING		2		FV797863	
19	21/9905-99-647-0560	PLATE, IDENTIFICATION	Al, 0.575 in. w x 1.000 in. lg x 0.028 in. thk	A/R		FV(S) 7-2-1	
20	LV6MT4/5340-99-205-6507	BUCKLE STRAP, METALLIC	Al, 2-1/2 in. lg	A/R		FV(S) 7-3-1	
21	242/5995-99-966-0004	CABLE ASSEMBLY, SPECIAL PURPOSE, ELECTRICAL		A/R		FV745757/135	
22	21/5330-99-647-3001	GASKET		2		FV797825	
23	232/5935-99-647-3002	ELBOW, ELECTRICAL		2		FV797848	
24	242/5975-99-647-3003	SLEEVE, CABLE		2		FV797828	
25	21/5340-99-647-3004	COMPRESSION, RING		2		FV797857	
26	21/5330-99-647-3005	GASKET		2		FV797890	
27	21/5340-99-647-3006	THRUST, RING		2		FV797863	
28	21/9905-99-647-0560	PLATE, IDENTIFICATION	Al, 0.575 in. w x 1.000 in. lg x 0.028 in. thk	A/R		FV(S) 7-2-1	
29	LV6MT4/5340-99-205-6507	BUCKLE STRAP, METALLIC	Al, 2-1/2 in. lg	A/R		FV(S) 7-3-1	
30	242/5995-99-966-0002	CABLE ASSEMBLY, POWER, ELECTRICAL		A/R		FV745757/31	
31	21/5330-99-647-3001	GASKET		2		FV797825	
32	232/5935-99-647-3002	ELBOW, ELECTRICAL		2		FV797848	
33	21/5340-99-647-3004	COMPRESSION RING		2		FV797857	
34	21/5330-99-647-3005	GASKET		2		FV797890	
35	21/5340-99-647-3006	THRUST RING		2		FV797863	
36	21/9905-99-647-0560	PLATE, IDENTIFICATION	Al, 0.575 in. w x 1.000 in. lg x 0.028 in. thk	A/R		FV(S) 7-2-1	
37	LV6MT4/5340-99-205-6507	BUCKLE STRAP, METALLIC	Al, 2-1/2 in. lg	A/R		FV(S) 7-3-1	
38	242/5995-99-965-7942	CABLE ASSEMBLY, SPECIAL PURPOSE, ELECTRICAL		A/R		FV563834/5	
39	LV6MT4/5940-99-805-1349	TERMINAL, LUG	ZBA	4		FV(S)9-2-3	
40	LV6MT4/5340-99-881-2217	BUSHING RUBBER		2		FV(S) 6-83-1	
41	242/5975-99-805-6457	NUT, COUPLING, ELECTRICAL CONDUIT		2		FV(S) 6-38-4	
42	242/5975-99-804-4641	FERRULE, ELECTRICAL, CONDUIT		2		FV(S) 6-87-16	
43	242/5975-99-804-4123	BUSH, FERRULE, ELECTRICAL CONDUIT		2		FV(S) 6-88-1	
44	242/5975-99-804-4273	FERRULE, ELECTRICAL CONDUIT		2		FV(S) 6-89-1	
45	21/9905-99-647-0560	PLATE, IDENTIFICATION	Al, 0.575 in. w x 1.000 in. lg x 0.028 in. thk	A/R		FV(S) 7-2-1	
46	LV6MT4/5340-99-205-6507	BUCKLE STRAP, METALLIC	Al, 2-1/2 in. lg	A/R		FV(S) 7-3-1	
47	242/5975-99-804-4605	CONDUIT, ELECTRICAL, FLEXIBLE		A/R		FV(S) 6-85-1	
48	/5975-99-103-7566	ADAPTOR		1		FV(S) 6-51-7	
49	NP	CABLE ASSEMBLY		A/R		FV745829/1	
50	NP	CONNECTOR		1		31GB-0654-6-314	
51	NP	CONNECTOR, BNC		1		31GB-0555-6-314	

Item No.	Catalogue Number	Item Name	Item Description	No. Off	Plate Ref.	Drawing No.	Remarks
1		RADIO INSTALLATION - Contd					
2		HARNESSES - Contd					
3	LV6MT4/2590-99-896-0213	CABLE, HARNESS		A/R		FV166727/ 3	
4	LV6MT4/6145-99-881-5675	BRAID, WIRE	copper, tinned, 5/8 in. w	A/R		FV(S)6- 70-6	
5	Z1/9905-99-647-0560	PLATE, IDENTIFICATION	Al, 0.575 in. w x 1.000 in. 1g x 0.028 in. thk	A/R		FV(S)7- 2-1	
6	LV6MT4/5340-99-205-6507	BUCKLE STRAP, METALLIC	Al, 2-1/2 in. 1g	A/R		FV(S)7- 3-1	
7	Z42/5995-99-965-7949	CABLE ASSEMBLY, POWER, ELECTRICAL		A/R		FV745837/ 33	
8	Z32/5935-99-647-0107	PLUG, ELECTRICAL		2		FV783878	
9	Z1/9905-99-647-0560	PLATE, IDENTIFICATION	Al, 0.575 in. w x 1.000 in. 1g x 0.028 in. thk	A/R		FV(S)7- 2-1	
10	LV6MT4/5340-99-205-6507	BUCKLE STRAP, METALLIC	Al, 2-1/2 in. 1g	A/R		FV(S)7- 3-1	
11	Z42/5995-99-965-7950	CABLE ASSEMBLY, RADIO FREQUENCY CONNECTOR		A/R		FV745811/ 83	
12	NP			2		31GB-0654 -6-314	
13	Z42/5995-99-965-7947	CABLE ASSEMBLY, RADIO FREQUENCY CONNECTOR		A/R		FV745811/ 82	
14	NP			2		31GB-0654 -6-314	
15	Z42/5995-99-965-7948	CABLE ASSEMBLY, POWER, ELECTRICAL		A/R		FV745757/ 131	
16	Z1/5330-99-647-3001	GASKET		2		FV797825	
17	Z32/5935-99-647-3002	ELBOW, ELECTRICAL		2		FV797848	
18	Z42/5975-99-647-3003	SLEEVE, CABLE		2		FV797828	
19	Z1/5340-99-647-3004	COMPRESSION, RING		2		FV797857	
20	Z1/5330-99-647-3005	GASKET		2		FV797890	
21	Z1/5340-99-647-3006	THRUST, RING		2		FV797863	
22	Z1/9905-99-647-0560	PLATE, IDENTIFICATION	Al, 0.575 in. w x 1.000 in. 1g x 0.028 in. thk	A/R		FV(S)7- 2-1	
23	LV6MT4/5340-99-205-6507	BUCKLE STRAP, METALLIC	Al, 2-1/2 in. 1g	A/R		FV(S)7- 3-1	
24	Z42/5995-99-965-7952	CABLE ASSEMBLY, RADIO FREQUENCY CONNECTOR		A/R		FV745829/ 29	
25	NP			1		31GB-0654 -6-314	
26	NP	CONNECTOR		1		31GB-0555 -6-314	
27	Z42/5995-99-965-8955	CABLE ASSEMBLY, POWER, ELECTRICAL CONNECTOR		A/R		FV943775/ 2	
28	NP			1		FV886884	
29	Z1/9905-99-647-0560	PLATE, IDENTIFICATION	Al, 0.575 in. w x 1.000 in. 1g x 0.028 in. thk	A/R		FV(S)7- 2-1	
30	LV6MT4/5340-99-205-6507	BUCKLE STRAP, METALLIC	Al, 2-1/2 in. 1g	A/R		FV(S)7- 3-1	
31	Z42/5995-99-965-8956	CABLE ASSEMBLY, SPECIAL PURPOSE, ELECTRICAL		A/R		FV745731/ 68	
32	Z32/5935-99-647-0109	SOCKET, ELECTRICAL		2		FV783877	
33	Z42/5995-99-965-8948	CABLE ASSEMBLY, SPECIAL PURPOSE, ELECTRICAL		A/R		FV943774/ 1	
34	Z32/5935-99-647-0109	SOCKET, ELECTRICAL		2		FV783877	
35	Z1/9905-99-647-0560	PLATE, IDENTIFICATION	Al, 0.575 in. w x 1.000 in. 1g x 0.028 in. thk	A/R		FV(S)7- 2-1	
36	LV6MT4/5340-99-205-6507	BUCKLE STRAP, METALLIC	Al, 2-1/2 in. 1g	A/R		FV(S)7- 3-1	
37	Z42/5995-99-965-8952	CABLE ASSEMBLY, POWER, ELECTRICAL CONNECTOR		A/R		FV943775/ 1	
38	NP			1		FV886884	
39	Z1/9905-99-647-0560	PLATE, IDENTIFICATION	Al, 0.575 in. w x 1.000 in. 1g x 0.028 in. thk	A/R		FV(S)7- 2-1	
40	LV6MT4/5340-99-205-6507	BUCKLE STRAP, METALLIC	Al, 2-1/2 in. 1g	A/R		FV(S)7- 3-1	
41	Z42/5995-99-965-8953	CABLE ASSEMBLY, POWER, ELECTRICAL		A/R		FV167997/ 30	
42	Z1/9905-99-647-0560	PLATE, IDENTIFICATION	Al, 0.575 in. w x 1.000 in. 1g x 0.028 in. thk	A/R		FV(S)7- 2-1	
43	LV6MT4/5340-99-205-6507	BUCKLE STRAP, METALLIC	Al, 2-1/2 in. 1g	A/R		FV(S)7- 3-1	
44	T3/6145-99-901-2998	CABLE, ELECTRICAL	nyvin 16	A/R			
45	Z42/5995-99-965-8949	CABLE ASSEMBLY, POWER, ELECTRICAL		A/R		FV943760/ 7	
46	NP	CONNECTOR		1		FV886883	
47	NP	CONNECTOR		1		FV886884	
48	Z1/9905-99-647-0560	PLATE, IDENTIFICATION	Al, 0.575 in. w x 1.000 in. 1g x 0.028 in. thk	A/R		FV(S)7- 2-1	



Item No.	Catalogue Number	Item Name	Item Description	No. Off	Plate Ref.	Drawing No.	Remarks
1		RADIO INSTALLATION - Contd					
2		HARNESSES - Contd					
3		CABLE ASSEMBLY, POWER, ELECTRICAL - Contd					
4	LV6MT4/5340-99-205-6507	BUCKLE STRAP, METALLIC	Al, 2-1/2 in. lg	A/R		FV(S)7-3-1	
5	NP	CABLE ASSEMBLY, SPECIAL PURPOSE, ELECTRICAL		A/R		FV745826	
6	Z1/9905-99-647-0560	PLATE, IDENTIFICATION	Al, 0.575 in. w x 1.000 in. lg x 0.028 in. thk	A/R		FV(S)7-2-1	
7	LV6MT4/5340-99-205-6507	BUCKLE STRAP, METALLIC	Al, 2-1/2 in. lg	A/R		FV(S)7-3-1	
8	Z42/5995-99-965-7957	CABLE ASSEMBLY, SPECIAL PURPOSE, ELECTRICAL		A/R		FV943756/4	
9	Z32/5935-99-647-0109	SOCKET, ELECTRICAL		1		FV783877	
10	Z32/5935-99-647-0107	SOCKET, ELECTRICAL		1		FV783878	
11	Z1/9905-99-647-0560	PLATE, IDENTIFICATION	Al, 0.575 in. w x 1.000 in. lg x 0.028 in. thk	A/R		FV(S)7-2-1	
12	LV6MT4/5340-99-205-6507	BUCKLE STRAP, METALLIC	Al, 2-1/2 in. lg	A/R		FV(S)7-3-1	
13	Z42/5995-99-965-8954	CABLE ASSEMBLY, SPECIAL PURPOSE, ELECTRICAL		A/R		FV745817/21	
14	Z32/5935-99-647-0107	PLUG, ELECTRICAL		2		FV783878	
15	Z1/9905-99-647-0560	PLATE, IDENTIFICATION	Al, 0.575 in. w x 1.000 in. lg x 0.028 in. thk	A/R		FV(S)7-2-1	
16	LV6MT4/5340-99-205-6507	BUCKLE STRAP, METALLIC	Al, 2-1/2 in. lg	A/R		FV(S)7-3-1	
17	Z42/5995-99-965-8600	CABLE ASSEMBLY, POWER, ELECTRICAL		A/R		FV745837/34	
18	Z32/5935-99-647-0107	PLUG, ELECTRICAL		2		FV783878	
19	Z1/9905-99-647-0560	PLATE, IDENTIFICATION	Al, 0.575 in. w x 1.000 in. lg x 0.028 in. thk	A/R		FV(S)7-2-1	
20	LV6MT4/5340-99-205-6507	BUCKLE STRAP, METALLIC	Al, 2-1/2 in. lg	A/R		FV(S)7-3-1	
21	Z42/5995-99-965-7959	CABLE ASSEMBLY, RADIO FREQUENCY CONNECTOR		A/R		FV745811/87	
22	NP	CONNECTOR		2		31GB-0654-6-314	
23	Z42/5995-99-966-0005	CABLE ASSEMBLY, RADIO FREQUENCY CONNECTOR		A/R		FV745829/39	
24	NP	CONNECTOR		1		31GB-0654-6-314	
25	NP	CONNECTOR		1		31GB-0555-6-314	
26	Z42/5995-99-965-7953	CABLE ASSEMBLY, RADIO FREQUENCY CONNECTOR		A/R		FV745829/30	
27	NP	CONNECTOR		1		31GB-0654-6-314	
28	NP	CONNECTOR		1		31GB-0555-6-314	
29	Z42/5995-99-965-7958	CABLE ASSEMBLY, RADIO FREQUENCY CONNECTOR		A/R		FV745811/86	
30	NP	CONNECTOR		2		31GB-0654-6-314	
31	Z42/5995-99-965-6438	CABLE ASSEMBLY, SPECIAL PURPOSE, ELECTRICAL		A/R		FV745826/5	
32	Z1/9905-99-647-0560	PLATE, IDENTIFICATION	Al, 0.575 in. w x 1.000 in. lg x 0.028 in. thk	A/R		FV(S)7-2-1	
33	LV6MT4/5340-99-205-6507	BUCKLE STRAP, METALLIC	Al, 2-1/2 in. lg	A/R		FV(S)7-3-1	
34	LV6MT4/5975-99-620-1736	SLEEVE, IDENTIFICATION, CABLE	PVC, 1.5 mm id, yellow, A	A/R		FV175698/12	
35	LV6MT4/5975-99-620-1737	SLEEVE, IDENTIFICATION, CABLE	PVC, 1.5 mm id, yellow, B	A/R		FV175698/13	
36	LV6MT4/5975-99-620-1738	SLEEVE, IDENTIFICATION, CABLE	PVC, 1.5 mm id, yellow, C	A/R		FV175698/14	
37	LV6MT4/5975-99-620-1739	SLEEVE, IDENTIFICATION, CABLE	PVC, 1.5 mm id, yellow, D	A/R		FV175698/15	
38	LV6MT4/5975-99-620-1740	SLEEVE, IDENTIFICATION, CABLE	PVC, 1.5 mm id, yellow, E	A/R		FV175698/16	
39	LV6MT4/5975-99-806-6876	SLEEVE, IDENTIFICATION, CABLE	PVC, 1.5 mm id, yellow, F	A/R		FV175698/17	
40	LV6MT4/5975-99-620-1742	SLEEVE, IDENTIFICATION, CABLE	PVC, 1.5 mm id, yellow, G	A/R		FV175698/18	
41	LV6MT4/5975-99-620-1745	SLEEVE, IDENTIFICATION, CABLE	PVC, 1.5 mm id, yellow, H	A/R		FV175698/19	
42	LV6MT4/5975-99-620-1744	SLEEVE, IDENTIFICATION, CABLE	PVC, 1.5 mm id, yellow, I	A/R		FV175698/20	
43	LV6MT4/5975-99-620-1746	SLEEVE, IDENTIFICATION, CABLE	PVC, 1.5 mm id, yellow, J	A/R		FV175698/21	
44	LV6MT4/5975-99-647-1371	SLEEVE, IDENTIFICATION, CABLE	PVC, 1.5 mm id, yellow, K	A/R		FV175698/22	
			PVC, 1.5 mm id, yellow, L	A/R		FV175698/23	
			PVC, 1.5 mm id, yellow, M	A/R		FV175698/24	
			PVC, 1.5 mm id, yellow, N	A/R		FV175698/25	
			PVC, 1.5 mm id, yellow, O	A/R		FV175698/26	

Item No.	Catalogue Number	Item Name	Item Description	No. Off	Plate Ref.	Drawing No.	Remarks
1		RADIO INSTALLATION - Contd					
2	LV6MT4/5975-99-632-4204	SLEEVE, IDENTIFICATION, CABLE	PVC, 1.5 mm id, yellow, P	A/R		FV175698/59	
3	LV6MT4/5975-99-647-1372	SLEEVE, IDENTIFICATION, CABLE	PVC, 1.5 mm id, yellow, S	A/R		FV175698/70	
4	Z42/5975-99-117-6149	SLEEVE, IDENTIFICATION, CABLE	plastics, 2.5 mm id, yellow, NEG	A/R		FV175700/56	
5	LV6MT4/5975-99-881-2815	SLEEVE, IDENTIFICATION, CABLE	plastics, 2.5 mm id, yellow, A	A/R		FV175700/113	
6	LV6MT4/5975-99-881-2816	SLEEVE, IDENTIFICATION, CABLE	plastics, 2.5 mm id, yellow, B	A/R		FV175700/114	
7	Z42/5975-99-620-1901	SLEEVE, IDENTIFICATION, CABLE	plastics, 2.5 mm id, yellow, POS	A/R		FV175700/338	
8	NP	SLEEVE, IDENTIFICATION, CABLE	plastics, 4 mm id, yellow	A/R		FV175702/50	
9	NP	SLEEVE, IDENTIFICATION, CABLE	plastics, 4 mm id, yellow, A NEG	A/R		FV175702/58	
10	Z42/5975-99-647-7008	SLEEVE, IDENTIFICATION, CABLE	plastics, 4 mm id, yellow, COAX O'LET	A/R		FV175702/516	
11	Z42/5975-99-647-1369	SLEEVE, IDENTIFICATION, CABLE	plastics, 4 mm id, yellow, SET A	A/R		FV175702/537	
12	Z42/5975-99-647-1370	SLEEVE, IDENTIFICATION, CABLE	plastics, 4 mm id, yellow, SET B	A/R		FV175702/538	
13	NP	SLEEVE, IDENTIFICATION, CABLE	plastics, 4 mm id, yellow, UK/RT 363	A/R		FV175702/639	
14	NP	SLEEVE, IDENTIFICATION, CABLE	plastics, 4 mm id, yellow, ARFAT	A/R		FV175702/640	
15	NP	SLEEVE, IDENTIFICATION, CABLE	plastics, 4 mm id, yellow, ANT BASE	A/R		FV175702/665	
16	NP	SLEEVE, IDENTIFICATION, CABLE	plastics, 4 mm id, yellow, INITIATE BOX	A/R		FV175702/702	
17	NP	SLEEVE, IDENTIFICATION, CABLE	plastics, 4 mm id, yellow, UK/PRC351/2	A/R		FV175702/756	
18	NP	SLEEVE, IDENTIFICATION, CABLE	plastics, 4 mm id, yellow, A SET	A/R		FV175702/759	
19	NP	SLEEVE, IDENTIFICATION, CABLE	plastics, 4 mm id, yellow, ARFAT (A)	A/R		FV175702/792	
20	NP	SLEEVE, IDENTIFICATION, CABLE	plastics, 4 mm id, yellow, FRONT TUAAM	A/R		FV175702/793	
21	NP	SLEEVE, IDENTIFICATION, CABLE	plastics, 4 mm id, yellow, PRC/AMP B	A/R		FV175702/798	
22	NP	SLEEVE, IDENTIFICATION, CABLE	plastics, 4 mm id, yellow, B/RCLU	A/R		FV175702/815	
23	NP	SLEEVE, IDENTIFICATION, CABLE	plastics, 4 mm id, yellow, IB2/3	A/R		FV175702/819	
24	NP	SLEEVE, IDENTIFICATION, CABLE	plastics, 5 mm id, yellow, LP	A/R		FV175703/653	
25	Z42/5975-99-620-2188	SLEEVE, IDENTIFICATION, CABLE	PVC, 6 mm id, yellow, 2	A/R		FV175704/79	
26	Z42/5975-99-647-3012	SLEEVE, IDENTIFICATION, CABLE	PVC, 6 mm id, yellow, CB2	A/R		FV175704/174	
27	Z42/5975-99-647-3010	SLEEVE, IDENTIFICATION, CABLE	PVC, 6 mm id, yellow, IB	A/R		FV175704/480	
28	NP	SLEEVE, IDENTIFICATION, CABLE	PVC, 6 mm id, yellow, LD BS	A/R		FV175704/510	
29	NP	SLEEVE, IDENTIFICATION, CABLE	PVC, 6 mm id, yellow, IB2	A/R		FV175704/542	
30	NP	SLEEVE, IDENTIFICATION, CABLE	PVC, 6 mm id, yellow, UK/RT 353	A/R		FV175704/596	
31	NP	SLEEVE, IDENTIFICATION, CABLE	PVC, 6 mm id, yellow, CB2 No. 1	A/R		FV175704/671	
32	NP	SLEEVE, IDENTIFICATION, CABLE	PVC, 6 mm id, yellow, DCCU	A/R		FV175704/681	
33	NP	SLEEVE, IDENTIFICATION, CABLE	PVC, 6 mm id, yellow, EJB	A/R		FV175704/687	
34	NP	SLEEVE, IDENTIFICATION, CABLE	PVC, 6 mm id, yellow, IBEA	A/R		FV175704/690	
35	NP	SLEEVE, IDENTIFICATION, CABLE	PVC, 7.5 mm id, yellow, DCCU	A/R		FV175705/789	
36	NP	SLEEVE, IDENTIFICATION, CABLE	PVC, 7.5 mm id, yellow, MAN PACK	A/R		FV175705/790	
37	NP	SLEEVE, IDENTIFICATION, CABLE	PVC, 7.5 mm id, yellow, BATTEN SET A/5	A/R		FV175705/791	
38	NP	SLEEVE, IDENTIFICATION, CABLE	PVC, 7.5 mm id, yellow, UK/PRC 352	A/R		FV175705/815	
39	NP	SLEEVE, IDENTIFICATION, CABLE	PVC, 7.5 mm id, yellow, UK/PRC 351/2	A/R		FV175705/821	

Item No.	Catalogue Number	Item Name	Item Description	No. Off	Plate Ref.	Drawing No.	Remarks
1	NP	RADIO INSTALLATIONS - Contd					
2		SLEEVE, IDENTIFICATION, CABLE	PVC, 7.5 mm id, yellow, SET	A/R		FV175705/874	
3		RADIO AND COMMUNICATION -					
4	LV6MT4/5975-99-805-6316	TERMINAL BOX	radio	1		LU/805919	
5	LV6MT4/5325-99-805-2840	GROMMET, RUBBER	1/2 in. id, 3/4 in. dia x 1/16 in. v groove	1		LU/805046	
6	LV6MT4/5325-99-805-8674	GROMMET, BLANK, NONMETALLIC	rubber, 3/4 in. od x 1/16 in. groove	2		LU/805259	
7	LV6MT4/5975-99-805-2917	BOX, CONNECTOR, ELECTRICAL		1		LU/949218	
8	Z2/5305-99-101-6519	SCREW, MACHINE	BA, brass, rd hd, Cd plated, no. 6 x 1/4 in.	4			) Box
9	Z2/5310-99-120-0139	NUT, PLAIN, HEXAGON	BA, brass, tinned, no. 6	4			) connector
10	LV6MT4/5975-99-805-2843	COVER, TERMINAL BOX	w/screws	1		LU/805260	)
11	G1/5310-99-943-8479	WASHER, LOCK	steel, int, flat, zinc coated, 1/4 in.	2			) Terminal
12	G1/5310-99-941-0924	NUT, PLAIN, HEXAGON	UNF, steel, zinc coated, 1/4 in.	2			) box to side
13	NP	RADIO MOUNTING ASSEMBLY					) -plate
14	LV9ASC/2540-99-815-7438	TRAY, STOWAGE, VEHICULAR	radio	1		FV59534	
15	LV9ASC/2540-99-815-7436	RUNNER, METAL	right	1		FV59516	
16	LV9ASC/2540-99-815-7435	RUNNER, METAL	left	1		FV55893	
17	G1/5305-99-941-6284	SCREW, MACHINE	UNF, steel, hex hd, zinc coated, 1/4 in. x 1/2 in.	4		FV55892	)
18	G1/5310-99-943-8479	WASHER, LOCK	steel, int, flat, zinc coated, 1/4 in.	4			) Platform
19	G1/5310-99-941-0924	NUT, PLAIN, HEXAGON	UNF, steel, zinc coated, 1/4 in.	4			) to runners
20	LV9ASC/2590-99-815-7434	RAIL, WIRELESS PLATFORM		4			)
21	G1/5305-99-941-6291	SCREW, MACHINE	UNF, steel, hex hd, zinc coated, 5/16 in. x 1-1/2 in.	2		FV55891	)
22	G1/5310-99-941-9141	WASHER, LOCK	steel, int, flat, Cd plated, 5/16 in.	4			) Rail to
23	LV9ASC/2590-99-815-7432	SPACER, WIRELESS PLATFORM RAIL		4			) support
24	LV9ASC/5306-99-815-7433	EYEBOLT	UNF, steel, 5/16 in. w/washer and wing nut	1		FV52363	)
25	LV9ASC/2930-99-815-7659	PIN, JOINT	steel, 5/16 in. dia x 0.90 in. lg	1		FV52364	) Eyebolt
26	G1/5315-99-944-0171	PIN, COTTER, SPLIT	steel, phosphated, 1/16 in. x 5/8 in.	1		FV50349	) Eyebolt
27	LV9ASC/2590-99-815-6375	BRACKET ASSEMBLY, ANTENNA		1		FV58323	) pin
28	G1/5305-99-941-1092	SCREW, MACHINE	UNF, steel, hex hd, Cd plated, 5/16 in. x 1/2 in.	1			)
29	LV9ASC/5325-99-815-7313	GROMMET, BLANK, NONMETALLIC	aerial cable	8			) For details
30	Z1/5820-99-104-3729	TRANSMITTER, RECEIVER, RADIO	no. 19, Mk 3	1			) see CSI126
31	Z1/5820-99-419-2514	TRANSMITTER, RECEIVER, RADIO	no. 31, AFV	1			)