

GROUP
S
WEAPONS

WEAPONS

CONTENTS

	Page
SMOKE GRENADE DISCHARGER	S1

LIST OF ILLUSTRATIONS

(NOTE: THE TEXT DOES NOT NECESSARILY INCLUDE ALL THE ITEMS REFERENCED)

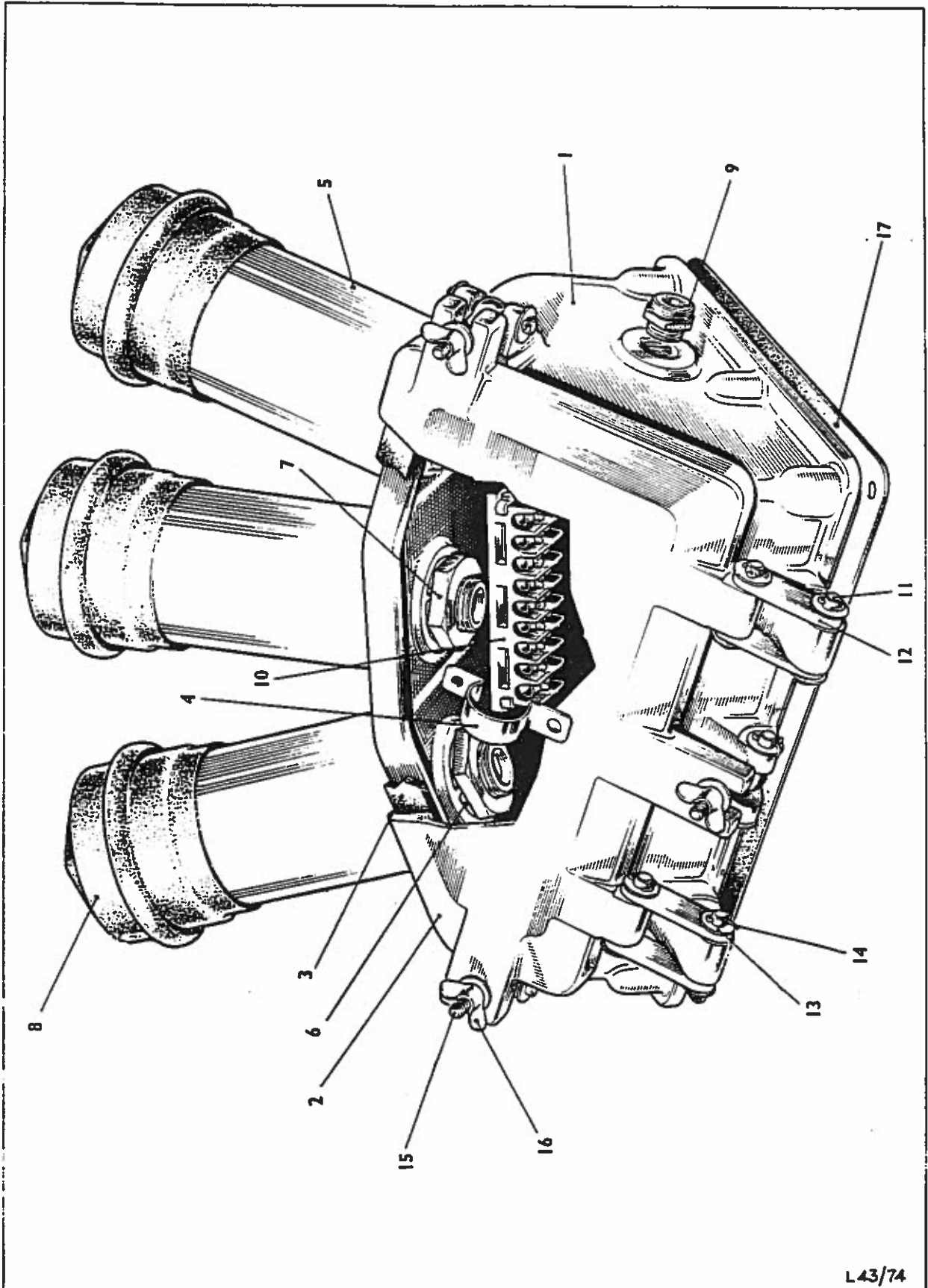
Plate

SMOKE GRENADE DISCHARGER, No. 4, Mk 1	S1
--	----

Item No.	Catalogue Number	Item Name	Item Description	No. Off	Plate Ref.	Drawing No.	Remarks
1	M1/1040-99-962-1224	DISCHARGER, SMOKE GRENADE, LEFT	no. 4. Mk 1	1			
2	M1/1040-99-962-1171	BRACKET, DISCHARGER		1	1	FV59292	
3	M1/1040-99-962-1172	LID		1	2	FV55550	
4	M1/1040-99-962-1169	GASKET	bracket to lid	1	3	FV58407	
5						FV55546	
6	M1/1040-99-962-1003	DISCHARGER, SMOKE GRENADE, RIGHT	no. 4. Mk 1	1			
7	M1/1040-99-962-1164	BRACKET, DISCHARGER		1	1	FV59293	
8	M1/1040-99-962-1173	LID		1	2	FV55551	
9	M1/1040-99-962-1169	GASKET	bracket to lid	1	3	FV58408	
10						FV55546	
11							
12							
13	M1/1040-99-962-1004	DISCHARGERS, LEFT AND RIGHT BARREL		3	5-7	M1MR/ 1174SA	
14	G1/5310-99-941-6662	WASHER, LOCK	steel, sq section, 7/8 in.	3	6		
15	M1MR/4787	NUT, SECURING		3	7	FV51074	
16	T2/1040-99-960-6622	CAP, SMOKE GRENADE					
17	LV6MT4/5940-99-805-0197	DISCHARGER	Mk 1	3	8		
18	Z2/5310-99-943-3968	CONNECTOR, BANK	6 way	1	10		
19	Z2/5305-99-914-3715	WASHER, LOCK	steel, int, flat, Cd plated, no. 6	2			} Connector to bracket
20	M1/5315-99-962-1064	SCREW, MACHINE	UNC, steel, pan hd, Cd plated, no. 6 x 5/8 in.	2			
21	M1/5315-99-962-1064	PIN, SWIVEL		7	11	FV51520	
22	M1/1040-99-962-1167	PLATE, HINGE		4	12	FV51518	
23	G1/5310-99-101-7838	WASHER, FLAT	steel, zinc coated, 1/4 in.	14	13		
24	G1/5315-99-944-0172	PIN, COTTER, SPLIT	steel, phosphated, 1/16 in. x 7/8 in.	14	14		
25	M1/5306-99-962-1066	EYEBOLT		3	15		
26	G1/GA18943	NUT, WING	lid, fixing	3	16		
27	M1/1040-99-962-1168	GASKET	discharger to wing	1	17		
28	G1/5310-99-120-2521	WASHER, LOCK	steel, int, flat, zinc coated, 3/8 in.	7			} Discharger to wing Parting screws
29	G1/5305-99-941-0711	SCREW, MACHINE	UNC, steel, hex hd, zinc coated, 3/8 in. x 5/8 in.	7			
30	G1/GA19170	WASHER, LOCK	steel, int, flat, zinc coated, 5/16 in.	2			
31	G1/5305-99-941-0522	SCREW, MACHINE	UNC, steel, hex hd, zinc coated, 5/16 in. x 3/8 in.	2			

SMOKE GRENADE DISCHARGER, No.4, MK.1

SI



L43/74