

GROUP

**R**

MOUNTINGS

**MOUNTINGS**

**CONTENTS**

	Page
GUN MOUNT ... ..	R2
MACHINE GUN MOUNT SUPPORT ... ..	R2
MACHINE GUN MOUNTING - EREN ... ..	R1
MACHINE GUN MOUNTING - BROWNING ... ..	R1
Control Handle ... ..	R1
Carrier Assembly ... ..	R2
MACHINE GUN MOUNTING, 7.62 MM NO. 6, MK 1 ... ..	R5
PERISCOPE SIGHT MOUNT ... ..	R7
SPEAK CARTRIDGE BAG ... ..	R4

**LIST OF ILLUSTRATIONS**

(NOTE:- THE TEXT DOES NOT NECESSARILY INCLUDE ALL THE ITEMS REFERENCED)

	Plate
MACHINE GUN MOUNTING, NO. 4, MK 1 AND MK 2... ..	R2
MACHINE GUN MOUNTING NO. 6, MK 1 ... ..	R3
PERISCOPE SIGHT MOUNTING, NO. 12, MK 1 ... ..	R4

Item No.	Catalogue Number	Item Name	Item Description	No. Off	Plate Ref.	Drawing No.	Remarks
1							
2	LV4/FV56430	MOUNTING, MACHINE GUN	brn	1			Mk 1 only
3	LV4/5340-99-812-5813	SPACER, SLEEVE	steel, 5/8 in. id x 3/4 in. od x 2-7/8 in. lg	1		FV51622	
4	LV4/5340-99-812-5812	SPACER, SLEEVE	steel, 0.404 in. id x 0.50 in. od x 3.4 in. lg	1		FV51621	
5	LV2/2590-99-812-5814	LINING, FRICTION	wood, 17/32 in. id x 2 in. od x 5/32 in. thk	2		FV51623	
6	LV4/5310-99-812-5815	WASHER, SPRING TENSION	steel, 13/32 in. id x 1-7/8 in. od x 3/32 in. thk	1		FV51624	
7	LV4/5306-99-812-5817	BOLT, MACHINE	mounting pivot	1		FV51626	
8	LV4/5310-99-812-5816	WASHER, SPRING TENSION	steel, Cd plated	1		FV51625	
9	LV4/5310-99-812-5818	NUT, PLAIN, WING	UNF, steel, Cd plated, 3/8 in.	1		FV51627	
10	LV9ASC/2540-99-815-6101	EXTENSION AND RETAINER ASSEMBLY	machine gun butt	1		FV125967	
11							
12							
13	LV4/FV328996	MOUNTING, BROWNING, M.G. NO. 3 Mk 1		1			
14	LV4/1005-99-812-5910	PLATE, SIDE	left and right	1			Mk 1 only
15	NP	PLATE, SIDE, LEFT		1	1-72	FV160980	
16	LV4/5307-99-812-3447	STUD, WELDING	UNF, steel, 5/16 in. x 1-1/4 in.	1	1-4	FV275456	
17	G1/5310-99-941-9128	NUT, SELF-LOCKING, HEXAGON	UNF, steel, nylon insert, Cd plated, 5/16 in.	2	2-4	FV293640	
18	G1/5305-99-941-8452	SCREW, HAMMER DRIVE	steel, rd hd, type, Cd plated, no.6 x 5/16 in.	2	3		
19	LV4/1005-99-812-6085	SADDLE, MACHINE MOUNTING		4	4		
20	LV4/FV272214	PIN, PIVOT	steel, zinc coated, 1/2 in.	1	5	FV275466	
21	G1/5310-99-941-0391	WASHER, FLAT	UNF, steel, all metal, Cd plated, 1/2 in.	1	6		
22	G1/5310-99-941-2459	NUT, SELF-LOCKING, HEXAGON	steel, 67-1/2 in. deg angle spent cartridges	1	7		Saddle to side plate
23	LV6MT1/4730-99-301-1208	NIPPLE, LUBRICATING	UNF, steel, hex hd, zinc coated, 1/4 in. x 3-1/2 in.	1	8		
24	LV4/1005-99-812-6076	CHUTE, CARTRIDGE CASE	UNF, steel, zinc coated, lock, 1/4 in.	1	9		Chute to side plate
25	G1/5305-99-941-0293	BOLT, MACHINE	front	1	10	FV272217	
26	G1/5310-99-941-0891	NUT, PLAIN, HEXAGON	steel, double coil, 3/4 in.	1	11		
27	LV4/1005-99-812-6061	PIN, MOUNTING, MACHINE GUN	UNF, steel, slot drive, no.10 x 0.4 in.	1	12		
28	G1/5310-99-941-6634	WASHER, LOCK	steel, double coil, 3/4 in.	1	13	FV260408	
29	LV4/5305-99-812-6037	SCREW, GRUB	UNF, steel, zinc coated, no.10 x 0.4 in.	1	14		
30	G1/5310-99-941-6628	WASHER, LOCK	steel, double coil, 3/4 in.	1	15	FV253087	Locking pin
31	LV4/5340-99-812-6178	PLATE, KEEP	rear locking pin	1	16		
32	LV4/5306-99-812-8511	BOLT, SHOULDER	keep plate to side plate	1	17	FV337093	
33	LV4/1005-99-812-6179	PIN, MOUNTING, MACHINE GUN	rear	1	18	FV337096	
34	NP	CONTROL, HANDLE		1	19	FV313220	
35	LV4/1005-99-812-6151	BRACKET, MACHINE GUN CONTROL HANDLE		1	20		
36	LV4/5340-99-812-6155	CLIP, SPRING TENSION	UNC, steel, pan hd, slotted, zinc coated, no.6 x 5/8 in.	1	21	FV313201	
37	G1/5305-99-941-8454	SCREW, MACHINE	UNC, steel, nylon insert zinc coated, no.6	1	22	FV313209	
38	G1/5310-99-941-8458	NUT, SELF-LOCKING, HEXAGON	0.300 machine gun mount	2	23		Clip to bracket
39	LV4/1005-99-806-7983	TRIGGER SHAFT	trigger shaft	1	24	FV679742	
40	LV4/1005-99-806-7984	PAWL	0.300 machine gun mount	1	25	FV679739	
41	LV4/1005-99-806-7985	PLATE, TRIGGER SHAFT	steel, zinc coated, 1/4 in.	1	26	FV679738	
42	G1/5310-99-941-8634	WASHER, FLAT	steel, phos, 1/32 in. x 3/8 in.	1	27		Pawl to trigger
43	G1/5315-99-944-0162	PIN, COTTER, SPLIT	steel, 1/4 in. dia 11/16 in. lg	1	28	250-0687	
44	G1/5315-99-122-2528	PIN, SPRING	steel, Cd P, 1/4 in. dia x 5 in. grip lg	1	29	MBK	Spiral
45	G1/5340-99-122-2288	PIN, QUICK RELEASE		1	30	3201-0450	Audel
46	LV4/1005-99-812-5900	STEM AND FIRING HANDLE		1	31-32	FV160299	
47	NP	STEM		1	32-35	FV336978	
48	LV4/1005-99-812-6152	STUD, SPECIAL	nut to stem	1	33	FV313206	
49	LV4/FV313207	NUT, HAND	locking control handle	1	34		
50	G1/5310-99-941-8634	WASHER, FLAT	steel, zinc coated, 1/4 in.	1	35		
51	LV4/5315-99-812-6114	PIN, SHOULDER, HEADLESS	firing handle	1	36	FV285320	
52	LV4/1005-99-812-6115	SPRING, HELICAL, COMPRESSION		1	37	FV285321	
53	LV4/5340-99-812-6116	BUSHING, MACHINE THREAD		1	38	FV285322	
54	LV4/FV285323	CAP, PLUNGER		1	39	FV285323	
55	G1/5310-99-941-3525	NUT, SELF-LOCKING, HEXAGON	UNF, steel, nylon insert, zinc coated, 5/16 in.	1	40		Cap to plunger
56	LV4/5310-99-812-6131	WASHER, FLAT	steel, 3/4 in. id x 1-1/8 in. od x 1/4 in. thk	1	41	FV293642	

Item No.	Catalogue Number	Item Name	Item Description	No. Off	Plate Ref.	Drawing No.	Remarks
1		MOUNTING, BROWNING - Contd				R1	
2		CONTROL, HANDLE - Contd					
3	LV4/1005-99-812-6128	SPRING, HELICAL, COMPRESSION	striker return	1	42	FV293635	
4	LV4/1005-99-812-6129	STRIKER		1	43	FV293639	} Striker to spindle
5	G1/5305-99-941-9037	SCREW, SET	UNF, steel, hex socket hd, cup point, zinc coated, no.10 x 5/16 in.	1	44		
6	LV4/1005-99-812-6177	SPINDLE, STRIKER, CONTROL HANDLE		1	45	FV336613	
7	G1/5310-99-941-8462	NUT, SELF-LOCKING, HEXAGON	UNF, steel, nylon insert, Cd plated, 5/8 in.	1	46		Adjuster
8	LV4/5315-99-812-6154	PIN, STRAIGHT, HEADED	control handle to side plate	1	47	FV313208	
9	G1/5310-99-948-0391	WASHER, FLAT	steel, zinc coated, 1/2 in.	1	48		} Pin fixing
10	G1/5315-99-944-0177	PIN, COTTER, SPLIT	steel, phosphated, 3/32 in. x 1-1/8 in.	1	49		
11	LV4/1005-99-812-6163	CLAMP, FORESIGHT		1	50	FV326348	
12	G1/5305-99-941-1761	SCREW, MACHINE	UNF, steel, cnk hd, slotted, zinc coated, 1/4 in. x 4 in.	1	51		} Clamp to side plate
13	G1/5310-99-941-0891	NUT, PLAIN, HEXAGON	UNF, steel, zinc coated, lock, 1/4 in.	1			
14	G1/5305-99-941-6906	SCREW, MACHINE	UNF, steel, hex hd, zinc coated, no.10 x 3/8 in.	1	52		} Clamping foresight
15	G1/5310-99-120-2311	WASHER, LOCK	steel, int, flat, zinc coated, 3/16 in.	1	53		
16	LV4/FV326349	FORESIGHT		1	54		} Backright to firing handle
17	G1/5305-99-941-0512	SCREW, MACHINE	UNF, steel, hex hd, zinc coated, 1/4 in. x 5/8 in.	1	55		
18	G1/5310-99-943-8479	WASHER, LOCK	steel, int, flat, zinc coated, 1/4 in.	1	56		} Backright to firing handle
19	LV4/FV326350	BACKSIGHT		1	57		
20	G1/5305-99-941-1871	SCREW, MACHINE	UNF, steel, fillister hd, zinc coated, no.10 x 1/2 in.	1	58		} Backright to firing handle
21	G1/5310-99-941-2419	NUT, PLAIN, HEXAGON	UNF, steel, zinc coated, no.10	1	59		
22	LV4/1005-99-812-6265	CARRIER ASSEMBLY, AMMUNITION BOX		1	60-70	FV496970	
23	LV4/1005-99-812-6256	CARRIER BODY, AMMUNITION BOX		1	60	FV496971	
24	LV4/1005-99-812-6252	BLOCK AND PINS, MAGAZINE CLIP		1	61	FV420865	} Claw to block
25	LV4/1005-99-812-6259	CLAW, MAGAZINE CLIP		1	62	FV466884	
26	G1/5310-99-941-8461	NUT, SELF-LOCKING, HEXAGON	UNF, steel, nylon insert, zinc coated, no.10	2	64		} Spring fixing
27	LV4/1005-99-812-6256	SPRING, HELICAL, COMPRESSION	block return	1	65	FV420859	
28	G1GA/11167	RIVET, SOLID	steel, cnk hd, 1/8 in. x 1/2 in.	2			
29	LV4/1005-99-812-5882	CATCH, RELEASE, AMMUNITION BOX		1	66	FV125043	
30	LV4/1005-99-812-6175	SPRING, HELICAL, COMPRESSION	Catch return	1	67	FV333291	} Pin fixing
31	LV4/5315-99-812-5880	PIN, STRAIGHT, HEADED	Catch pivot	1	68	FV125038	
32	G1/5310-99-101-7838	WASHER, FLAT	steel, zinc coated, 1/4 in.	1	69		} Side plate to saddle Mk 1 only
33	G1/5315-99-944-0172	PIN, COTTER, SPLIT	steel, phosphated, 1/16 in. x 7/8 in.	1	70		
34	LV4/FV272213	PIN, PIVOT		1	71		} Side plate to saddle Mk 1 only
35	LV4/5305-99-812-8510	SCREW, SHOULDER	pivot pin fixing rear	1	72	FV337672	
36	LV4/1005-99-866-9653	SUPPORT, MACHINE GUN MOUNT		1		FV340068	} Support to roof
37	LV4/1005-99-812-6231	SUPPORT, MACHINE GUN MOUNTING	mounting rear support	1		FV351225	
38	LV4/FV335373	PIN, SHOULDER		1			} Support to roof
39	LV4/FV335374	COLLAR, STOP		1			
40	G1/5310-99-941-9134	NUT, SELF-LOCKING, HEXAGON	UNF, steel, nylon insert, Cd plated, 1/2 in.	1		FV275475	
41	LV4/5340-99-812-6088	PIN, QUICK RELEASE		1			} Stop pin to support
	G1/5305-99-941-0511	SCREW, MACHINE	UNF, steel, hex hd, zinc coated, 1/4 in. x 1/2 in.	2			
43	G1/5310-99-941-6654	WASHER, LOCK	steel, single coil sq section, 1/4 in.	2			} Support to roof
44	G1/5305-99-941-0310	BOLT, MACHINE	UNF, steel, hex hd, zinc coated, 3/8 in. x 1-1/8 in.	2			
45	G1/5310-99-120-2521	WASHER, LOCK	steel, int, flat, zinc coated, 3/8 in.	2			} Support to roof
46	G1/5310-99-941-0915	NUT, PLAIN, HEXAGON	UNF, steel, zinc coated, 3/8 in.	2			

Item No.	Catalogue Number	Item Name	Item Description	No. Off	Plate Ref.	Drawing No.	Remarks
1						R3	
2	LV4/1005-99-812-5866	MOUNT, GUN	no.4, Mk 1	1	1-62	FV59321	Mk 2 only
3	LV9ASC/1005-99-103-6116	MOUNT, GUN	no.4, Mk 2	1	1-62	FV542058	
4	LV4/5306-99-812-6251	BOLT, MACHINE	UNF, steel, hex hd, 9/16 in. x 3/4 in.	1	2	FV52565	
5	G1GA/19174	WASHER LOCK	steel, int, flat, zinc coated, 9/16 in.	1	3		
6	LV4/FV51702	PIN, STRAIGHT, HEADLESS	firing trigger	1	4		
7	LV4/FV51703	LEVER, TRIGGER		1	5		
8	LV4/3040-99-812-5836	COLLAR, SHAFT	fixing trigger shaft	1	6	FV51717	
9	LV4/FV51701	TRIGGER		1	7		
10	G1/5315-99-942-3564	PIN, GROOVED, HEADLESS	steel, phosphated, 1/8 in. dia x 5/8 in. lg	2	8		}Triggers to shaft
11	LV4/FV51690	PIN, STRAIGHT, HEADLESS	fixing firing lever	1	9		
12	LV4/FV51707	LEVER, FIRING		1	10		
13	LV4/3040-99-812-5836	COLLAR, SHAFT	fixing, firing lever shaft	2	11		
14	G1/5315-99-942-3564	PIN, GROOVED, HEADLESS	steel, phosphated, 1/8 in. dia x 5/8 in. lg	3	12		}Firing levers to collar
15	LV4/1005-99-812-5904	CONNECTING LINK, RIGID		1	13-18	FV160720	
16	G1/5310-99-812-2419	NUT, PLAIN, HEXAGON	UNF, steel, zinc coated, no.10	2	14		
17	LV4/FV51837	TAB, ANCHOR	return spring	1	15		
18	LV4/FV51709	FORK, END		2	16		
19	LV4/FV51710	PIN, JOINT		2	17		
20	G1/5315-99-944-3172	PIN, COTTER, SPLIT	steel, phosphated, 1/16 in. x 7/8 in.	2	18		
21	LV4/1005-99-812-5805	SPRING, HELICAL, EXTENSION	trigger return	1	19	FV51212	
22	LV4/1005-99-812-5869	GUARD, FIRING LEVER		1	20	FV55625	
23	G1/5305-99-941-3510	SCREW, MACHINE	UNF, steel, hex hd, zinc coated, 1/4 in. x 3/8 in.		21		}Guard to cradle
24	G1/5310-99-943-3479	WASHER, LOCK	steel, int, flat, zinc coated, 1/4 in.		22		
25	G1/5305-99-941-6549	SCREW, MACHINE	UNF, steel, hex hd, zinc coated, 3/8 in. x 7/8 in.	2	23		
26	G1/5310-99-120-2521	WASHER, LOCK	steel, int, flat, zinc coated, 3/8 in.	2	24		
27	G1/5310-99-941-3926	NUT, PLAIN, HEXAGON	UNF, steel, zinc coated, 3/8 in.	2	25		
28	LV4/5310-99-812-1837	WASHER, RECESSED		1	26	FV51775	
29	G1/5310-99-941-5637	WASHER, FLAT	steel, zinc coated, 1/2 in.	4	27		}Sight link to cradle
30	LV9ASC/2540-99-515-7242	COLLAR, SHAFT		1	28	FV51715	
31	G1/5315-99-942-3566	PIN, GROOVED, HEADLESS	steel, phosphated, 1/8 in. dia x 7/8 in. lg	1	29		
32	G1/5305-99-941-3338	BOLT, MACHINE	UNF, steel, hex hd, zinc coated, 7/16 in. x 4-1/2 in.	1	30		}Rear bolt mounting
33	G1/5310-99-941-3636	WASHER, FLAT	steel, zinc coated, 7/16 in.	2	31		
34	G1/5310-99-941-750	NUT, SELF-LOCKING, HEXAGON	UNF, steel, nylon insert, zinc coated, 7/16 in.	1	32		
35	LV4/51686	HANDLE, GRIP		1	33		
36	LV4/FV51699	BLOCK, TRUNNION	left	1	35-36		
37	LV6T1/3120-99-942-8104	BEARING, SLEEVE		1	36		
38	LV4/FV51693	BLOCK, TRUNNION	right	1	37-38		
39	LV6T1/3120-99-942-8104	BEARING, SLEEVE		1			
40	G1/5315-99-943-2502	PIN, GROOVED, HEADLESS	steel, phosphated, 5/32 in. dia x 3/8 in. lg	1	38		
41	LV4/5310-99-812-8546	WASHER, FLAT	steel, 0.78 in. id x 1.250 in. od x 0.075 in. thk			FV51695/1	
42	LV4/5310-99-812-8547	WASHER, FLAT	steel, 0.78 in. id x 1.250 in. od x 0.10 in. thk			FV51695/2	
43	LV4/5310-99-812-8548	WASHER, FLAT	steel, 0.78 in. id x 1.250 in. od x 0.125 in. thk			FV51695/3	
44	LV4/5310-99-812-8545	WASHER, FLAT	steel, 0.78 in. id x 1.250 in. od x 0.150 in. thk			FV51695/4	
45	LV4/1005-99-812-5844	PLATE, TRUNNION, MACHINE					
46	G1/5305-99-941-1717	GUN CRADLE SCREW, MACHINE	steel, 4 in. od x 5/32 in. thk	1	40	FV52063	
47	LV4/2590-99-812-5845	LINING, FRICTION	UNC, steel, csk hd, zinc coated, no.6 x 3/8 in.	3	41		
48	LV4/52065	PLATE, TRUNNION		1	42	FV52064	
49	G1/5310-99-941-6636	WASHER, LOCK	steel, double coil, 1 in.	1	43		
50	LV4/5340-99-812-6201	HANDWHEEL	locking trunnion	1	45	FV52276	

Item No.	Catalogue Number	Item Name	Item Description	No. Off	Plate Ref.	Drawing No.	Remarks
1						R2	
2							
3	LV4/1005-99-812-6203	MOUNT GUN - contd BRACKET ASSEMBLY, CONTROL ARM					
4	NP	BRACKET		1	47-50	FV350131	
5	LV4/5315-99-812-6204	PIN, STRAIGHT, THREADED	UNF, steel, 3/8 in. x 2-1/2 in.	1		FV350132	
6	G1/5310-99-120-2304	WASHER, LOCK	steel, single coil, zinc coated, 3/8 in.	2	48		) Clamping ) shoulder ) piece
7	G1/5310-99-341-0915	NUT, PLAIN, HEXAGON	UNF, steel, zinc coated, 3/8 in.	2	49		)
8	G1/5305-99-341-0541	SCREW, MACHINE	UNF, steel, hex hd, zinc coated, 3/8 in. x 1 in.	2	50		)
9	G1/5310-99-120-2304	WASHER, LOCK	steel, single coil, zinc coated, 3/8 in.	3	51		) Bracket to ) cradle
10	G1/5310-99-341-0915	NUT, PLAIN, HEXAGON	UNF, steel, zinc coated, 3/8 in.	3	52		)
11	LV9ASC/2590-99-103-6958	SHOULDER PIECE ASSEMBLY		3	53		)
12	LV4/FV337244	EXTENSION PIECE		1		FV56590	) Mk 2 only
13	LV4/1005-99-312-6205	CLAMP, SHOULDER PIECE	large	1	56		)
14	LV4/1005-99-312-6206	CLAMP, SHOULDER PIECE	small	1	57	FV350138	) Mk 1 and
15	G1/5310-99-120-8704	WASHER, LOCK	steel, double coil, 3/8 in.	1	58	FV350139	) Mk 2
16	G1/5310-99-341-1695	NUT, PLAIN, WING	UNF, brass, 3/8 in.	1	59		)
17	LV4/1005-99-312-6202	SHOULDER PAD		1	60		)
18	LV4/1005-99-867-1533	SPLASH, PROTECTOR		1	61	FV58620	) Mk 1 only
19	G1/5305-99-341-0511	SCREW, MACHINE	UNF, steel, hex hd, zinc coated, 1/4 in. x 1/2 in.	1	62	FV53412	) Protector ) to barrel
20							
21	LV4/1005-99-312-3867	BAG, SPENT CARTRIDGE	canvas	1		FV59341	) When no. 4 ) Mk 1 gun ( mags fitted
22	NP	PLATE, HOOK		1		FV58467	
23	LV4/5340-99-312-5839	CLIP, SPRING TENSION	steel, 1 in. w x 1.625 in. lg x 0.028 in. thk, 0.275 in. h	1		FV51844	
24	G1GA/11304	RIVET, SOLID	steel, flat hd, tinmans, 1/8 in. x 5/16 in.	1		FV51844	) Clip to ) plate
25	G1GA/11304	RIVET, SOLID	steel, flat hd, tinmans, 1/8 in. x 5/16 in.	14			) Plate to ) bag
26	G1GA/19136	WASHER, FLAT	copper, 1/8 in.	14			

Item No.	Catalogue Number	Item Name	Item Description	No. Off	Plate Ref.	Drawing No.	Remarks
1						R 3	
2	LV4/1005-99-809-1428	MOUNTING, MACHINE GUN	7.62 mm, GPMG no. 6, Mk 1	1	1-97	FV665160	} Alternative to No. 4 Mk 1
3	NP	GUN MOUNT ASSEMBLY		1	1-50	FV665081	
4	LV4/1005-99-815-3046	CRADLE WEAPON MOUNTING		1	1	FV665082	
5	LV4/1005-99-815-3047	QUADRANT BLOCK ASSEMBLY	gun mtg	1	2-8	FV665138	
6	LV4/5315-99-815-4120	PIN, STRAIGHT, HEADLESS	steel, phos, 5/16 in. dia x 1-45/64 in. lg	2	3	FV665142	
7	LV4/5340-99-815-3048	PLUNGER, DETENT	quadrant block	2	4	FV665140	
8	LV4/5360-99-815-3049	SPRING, HELICAL, COMPRESSION	steel, 0.484 in. od x 0.63 in. free lg	2	5	FV665141	
9	G1/5310-99-941-8623	WASHER, FLAT	steel, Cd P, 5/16 in.	2	6		
10	G1/5310-99-434-9308	WASHER, LOCK	steel, int, flat, zinc coated, 1/2 in.	1	9		
11	LV4/5306-99-815-4136	BOLT, EXTERNALLY RELIEVED BODY	UNF, steel, fil.hd, phos, 1/2 in. x 3 in.	1	10	FV665147	
12	LV4/5305-99-815-4139	SCREW, MACHINE	UNF, steel, hex hd, phos, 1/4 in. x 1-3/8 in.	1	12	FV665145	
13	G1/5310-99-120-8573	NUT, SELF-LOCKING, HEXAGON	UNF, steel, all metal, 1/4 in.	2	13		
14	LV4/1005-99-812-5826	TRIGGER	cradle	1	14	FV51701	
15	LV4/5315-99-815-4135	PIN, STRAIGHT, HEADLESS	steel, phos, 0.375 in. dia x 1.40 in. lg	1	15	FV665146	
16	LV4/3120-99-815-4133	BUSHING, SLEEVE	steel, 0.376 in. id x 0.5630 in. od x 0.46 in. lg	1	16	FV665144	
17	LV4/1005-99-815-4132	LEVER, REMOTE CONTROL	trigger	1	17	FV665143	
18	NP	TRIGGER PLUNGER ASSEMBLY		1	19-26	FV665102	
19	LV4/1005-99-815-4122	PLUNGER GUIDE	trigger	1	19	FV665107	
20	LV4/1005-99-815-4121	PLUNGER ASSEMBLY	trigger	1	20	FV665103	
21	G1/5315-99-199-0278	PIN, SPRING	cras, 1/4 in. dia x 1-1/8 in. lg	1	21		
22	LV4/1010-99-199-0276	LEVER ASSEMBLY	trigger	1	22	FV665177	
23	LV4/5360-99-815-4123	SPRING, HELICAL, TORSION	steel, single torsion, 0.37 in. od x 0.61 in. lg	1	23	FV665175	
24	LV4/5360-99-815-4124	SPRING, HELICAL, COMPRESSION	steel, 0.608 in. od x 0.91 in. free lg	1	25	FV665111	
25	LV4/1005-99-815-4125	DEFLECTOR, SPENT		1	27	FV665112	
26	Z2/5305-99-946-1274	CARTRIDGE SCREW, MACHINE	UNF, steel, hex hd, zinc coated, no. 10 x 5/8 in.	6	28		
27	Z2/5310-99-946-7014	WASHER, FLAT	steel, zinc coated, no. 10	6	29		
28	Z2/5310-99-970-6320	NUT, SELF-LOCKING, HEXAGON	UNF, steel, no. 10	6	30		
29	G1/5310-99-970-8407	WASHER, FLAT	steel, Cd P, 3/8 in.	1	31		
30	NP	SHOULDER PIECE ASSEMBLY		1	32-46	FV665170	} Plunger and deflector
31	LV4/1005-99-815-4127	BRACKET, CONTROL ARM	shoulder piece	1	32	FV350132	
32	LV4/1005-99-815-4126	CONTROL ARM	shoulder piece	1	33	FV665164	
33	LV4/1005-99-815-4128	PAD, RECOIL	sponge rubber, plastics covered	1	34	FV56580	
34	LV4/1005-99-812-6205	COLLAR, CLAMPING	pad	1	35	FV350138	
35	LV4/1005-99-812-6206	CLAMP, SHOULDER PIECE	pad	1	36	FV350139	
36	G1/5310-99-944-0550	WASHER, LOCK	steel, single coil, Cd P, 3/8 in.	1	37		
37	G1/5310-99-941-1695	NUT, PLAIN, WING	UNF, br, 3/8 in.	1	38		
38	LV4/5360-99-815-4131	SPRING, HELICAL, COMPRESSION	steel, 0.915 in. od x 8.06 in. free lg	1	39	FV665168	
39	LV4/2540-99-815-4130	PAD, THRUST	control arm	1	40	FV665167	
40	G1/5315-99-204-4446	PIN, SPRING	steel, 1/8 in. dia x 11/16 in. lg	1	41		
41	G1/5310-99-941-0904	NUT, PLAIN, HEXAGON	UNF, P steel, zinc coated, 3/8 in.	1	43		
42	LV4/5120-99-815-4129	SPANNER, RING	straight single hd type, hex	1	44	FV665165	
43	G1/5310-99-941-8635	WASHER, FLAT	steel, zinc coated, 3/8 in.	3	45		
44	G1/5310-99-941-9131	NUT, SELF-LOCKING, HEXAGON	UNF, steel, all metal, Cd P, 3/8 in.	2	46		
45	LV4/1005-99-812-5819	HANDLE	shoulder piece	1	47	FV51686	
46	G1/5306-99-941-0318	BOLT, MACHINE	UNF, S steel, hex hd, zinc coated, 3/8 in. x 2-3/4 in.	1	48		
47	G1/5310-99-941-8635	WASHER, FLAT	steel, zinc coated, 3/8 in.	3	49		
48	G1/5310-99-941-9131	NUT, SELF-LOCKING, HEXAGON	UNF, steel, all metal, Cd P, 3/8 in.	3	50		
							} Shoulder piece to frame

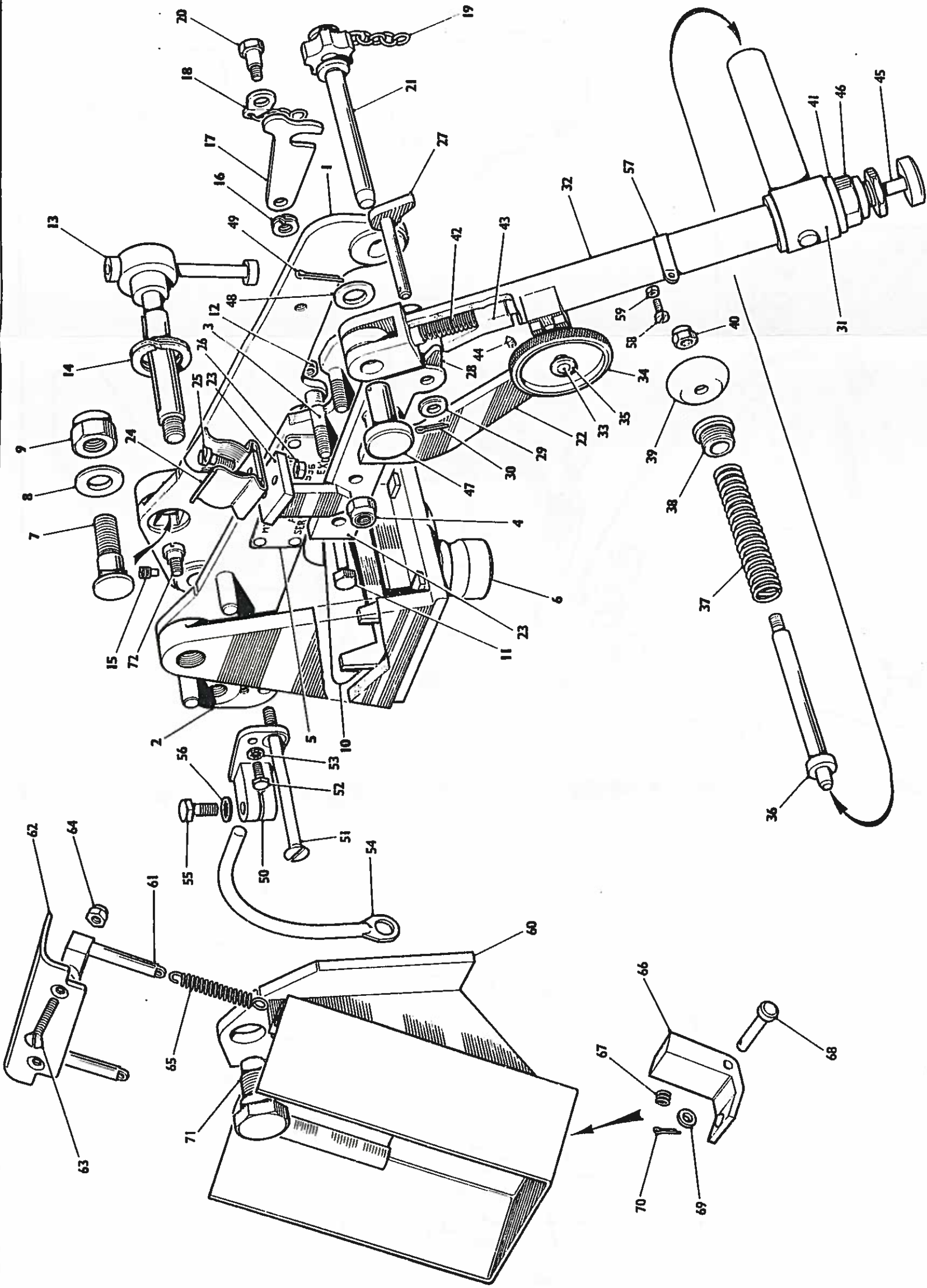
Item No.	Catalogue Number	Item Name	Item Description	No. Off	Plate Ref.	Drawing No.	Remarks
1	LV4/3040-99-815-4141	MACHINE GUN MOUNTING - Contd			<b>R3</b>		
2	LV6MT1/3120-99-815-4142	CONNECTING LINK, RIGID		1	51-58	FV665130	} Connecting link
3	LV6MT1/3120-99-815-4142	BEARING, PLAIN, SELF-ALIGNING	1/2 in. dia inner member,	1	52		
4	LV6MT1/5340-99-910-8280	RING, RETAINING	1 in. dia outer member	1	53		
5	G1/5310-99-120-7678	NUT, PLAIN, HEXAGON	steel, phos, 1 in. od	1	54		
6	LV4/5340-99-812-5795	TURNBUCKLE	UNF, steel, zinc coated,	1	55	FV51077	
7	LV4/5310-99-812-5796	NUT, PLAIN, HEXAGON	1/2 in.	1	56	FV51078	
8	LV6MT1/3120-99-200-2448	BEARING, SLEEVE	UNF, steel, Cd P, 1/2 in., 1h	1	58		
9	LV4/3040-99-815-4149	COLLAR, SHAFT	bronze, 1/2 in. id x 5/8 in.	1	60	FV665129	
10	LV4/1005-99-812-5825	BLOCK, TRUNNION	od x 3/4 in. lg	1	62-63	FV51699	
11	LV6MT1/3120-99-200-3182	BEARING, SLEEVE	steel, phos, 1/2 in. id x	1	63		
12	LV4/5340-99-315-4147	STRAP, RETAINING	3/4 in. od x 1/4 in. lg	1	66	FV665154	
13	G1/5310-99-944-0550	WASHER, LOCK	left	1	67		
14	G1/5305-99-127-8372	SCREW, CAP, SOCKET HEAD	bronze, 3/4 in. id x 7/8 in.	2	68		
15	LV4/3130-99-315-4146	HOUSING, BEARING UNIT	od x 1 in. lg	1	69-70	FV665148	
16	LV6MT1/3120-99-132-6308	BEARING, SLEEVE	right	1	70		
17	LV4/1005-99-315-4143	BRACKET, QUADRANT GUIDE	bronze, 3/4 in. id x 7/8 in.	1	71		
18	LV4/1005-99-315-4144	PLATE ASSEMBLY	od x 1/2 in. lg	1	72	FV665131	
19	G1/5310-99-370-8407	WASHER, FLAT	w/integral pin	1	75	FV665136	
20	LV4/1005-99-815-4145	QUADRANT ASSEMBLY	w/integral nut	1	76		
21	G1/5310-99-120-6768	WASHER, FLAT	steel, Cd P, 3/8 in.	1	78	FV665099	
22	LV4/1005-99-315-4148	RETAINER, SPRING DISC	w/integral pin	1	79		
23	LV6MT1/5360-99-815-4750	DISC, SPRING	steel, 1/2 in.	1	82	FV665151	
24	LV6MT1/5355-99-142-5677	KNOB	steel, phos, 1.66 in. dia x	1	83		
25	G1/5310-99-970-9407	WASHER, FLAT	0.5 in. h	1	84		
26	LV6MT1/5340-99-942-8708	RING, RETAINING	steel, 20.5 mm id x 36.5 mm	1	85		
27	LV4/2590-99-815-4137	TRAY, STORAGE, VEHICULAR	od x 0.9 mm thk	1	86	FV665153	
28	G1/5340-99-124-2976	CLIP, SPRING TENSION	plastic, push on type,	1	87		
29	G1/5320-99-601-7589	RIVET, SOLID	1/4 in. id	1	88-89	FV665115	
30	LV4/1005-99-815-4138	BAG, SPENT CARTRIDGE	steel, 1/6 in. dia of loop	2	89		
31		FRAME TOP	copper, rd hd, 3/32 in. x	2	91-93	FV665119	
32	LV4/1005-99-815-4139	HOOK PLATE	1/4 in.	1	92	FV665120	
33	LV4/1005-99-815-4140	HOOK PLATE	steel, ext, 9 mm id	1	92	FV665121	
34	LV4/5340-99-312-5839	CLIP, SPRING TENSION	steel, 1 in. dia of loop	1	93	FV51644	
			copper, rd hd, 3/32 in. x	2			
			1/4 in.	2			
			conv. anti steel frame,	1			
			10-12 in. x 14-7/8 in. x	1			
			16 in.	1			
			frame top	1			
			frame top	1			
			frame top	1			
			steel, 1 in. w x 1.625 in.	1			
			lg x 0.025 in. thk,				
			0.275 in. h				



Item No.	Catalogue Number	Item Name	Item Description	No. Off	Plate Ref.	Drawing No.	Remarks
1						R4	
2	LV4/1240-99-812-5863	MP	no. 12, Mk 1	1	1-43	FV59129	
3		MP	no. 12, Mk 2	1		FV542059	
4	LV4/FV58245	HOUSING, SIGHT		1	1-2		no. 12, Mk 1 only
5	MP	HOUSING, SIGHT		1		FV541339	
6	LV4/5315-99-812-5791	PIN, STRAIGHT, THREADED	UNF, steel, 5/16 in. x 2-29/64 in.	1	2	FV51015	
7	LV4/FV51001	TRUNNION, HOUSING	left	1	3		
8	LV4/FV51185	TRUNNION, HOUSING	right	1	4		
9	LV4/5340-99-812-5785	CLIP, SPRING, TENSION	steel, Cd plated, 1/2 in. w x 2-19/32 in. lg	2	5	FV51002	
10	G1/5305-99-941-6907	SCREW, MACHINE	UNC, steel, hex hd, zinc coated, no. 6 x 3/8 in.	4	6		Springs to housing
11	Z2/5310-99-120-2520	WASHER, LOCK	steel, int, flat, zinc coated, 1/8 in.	4	7		
12	G1/5310-99-941-2406	NUT, PLAIN, HEXAGON	UNC, steel, zinc coated, no. 6	4	8		
13	LV4/2590-99-812-5788	SPRING, RETAINING, PERISCOPE PIN		2	9	FV51008	
14	Z2/5310-99-120-2520	WASHER, LOCK	steel, int, flat, zinc coated, 1/8 in.	4	10		Spring to housing
15	G1/5305-99-941-1835	SCREW, MACHINE	UNC, steel, fillister hd, zinc coated, no. 4 x 1/4 in.	4	11		
16	LV4/5330-99-812-5787	FELT, MECHANICAL, PREFORMED	bracket packing, front	2	12	FV51004	
17	LV4/2590-99-812-5861	BRACKET, MOUNTING, PERISCOPE		2	13-14	FV58246	
18	LV4/FV55352	ARM, CONTROL		1	15-16		
19	LV4/5330-99-812-5783	WASHER, NONMETALLIC	felt, 1-1/2 in. id x 3 in. od x 5/16 in. thk	2	17	FV51000	
20	LV4/2590-99-812-5849	CAP, PERISCOPE MOUNTING, END	left	1	18	FV55350	
21	LV4/2590-99-812-5848	CAP, PERISCOPE MOUNTING, END	right	1	19	FV55349	
22	G1/5305-99-941-0511	SCREW, MACHINE	UNF, steel, hex hd, zinc coated, 1/4 in. x 1/2 in.	16	20		Caps to housing
23	G1/5310-99-943-8479	WASHER, LOCK	steel, int, flat, zinc coated, 1/4 in.	16	21		
24	LV9ASC/2540-99-815-7242	COLLAR			22		Retaining link arm
25	G1/5315-99-942-3566	PIN, GROOVED, HEADLESS	steel, phosphated, 1/8 in. dia x 7/8 in. dia	1	23		
26	LV4/5306-99-812-5800	EYEBOLT	righting, adjustment	1	24	FV51087	
27	LV4/1240-99-812-5901	ADJUSTER, PERISCOPE SIGHT		1	25-31	FV160393	
28	LV4/5751C89	ADJUSTING THIMBLE		1	27		
29	LV4/5305-99-812-5803	SCREW, GRUB	securing thimble	1	28	FV51092	
30	LV4/2590-99-812-5802	SPRING, CLICKER		1	29	FV51091	
31	G1/5305-99-941-1845	SCREW, MACHINE	UNC, steel, fillister hd, zinc coated, no. 6 x 3/16 in.	2	30		Spring fixing
32	Z2/5310-99-120-2520	WASHER, LOCK	steel, int, flat, zinc coated, 1/8 in.	2	31		
33	G1GA/19171	WASHER, LOCK	steel, int, flat, zinc coated, 5/16 in.	1	32		
34	LV4/FV51012	NUT, PLAIN, WING	adjusting eyebolt	1	33		
35	G1/5310-99-941-0847	NUT, PLAIN, HEXAGON	UNF, steel, slotted, zinc coated, 1/4 in.	1	34		
36	G1/5315-99-944-0172	PIN, COTTER, SPLIT	steel, phosphated, 1/16 in. x 7/8 in.	1	35		
37	LV4/FV51041	EYEBOLT	retaining periscope	2	36-37		
38	G1/5310-99-941-8845	NUT, PLAIN, WING	UNF, steel, Cd plated, 1/4 in.	2	37	FV51011	
39	LV4/5315-99-812-5786	PIN, STRAIGHT, HEADED	steel, Cd plated, 3/16 in. dia x 49/64 in. lg	2	38		
40	G1/5315-99-944-0172	PIN, COTTER, SPLIT	steel, phosphated, 1/16 in. x 7/8 in.	2	39		
41	LV4/2590-99-812-5851	HEAD PAD ASSEMBLY		1	40	FV55353	
42	G1/5305-99-941-0511	SCREW, MACHINE	UNF, steel, hex hd, zinc coated, 1/4 in. x 1/2 in.	2	41		Head pad to mount
43	G1/5310-99-943-8479	WASHER, LOCK	steel, int, flat, zinc coated, 1/4 in.	2	42		
44	G1/5310-99-120-2521	WASHER, LOCK	steel, int, flat, zinc coated, 3/8 in.	7			Mounting to turret
45	G1/5310-99-941-0838	NUT, PLAIN, HEXAGON	UNF, steel, zinc coated, 3/8 in.	7			

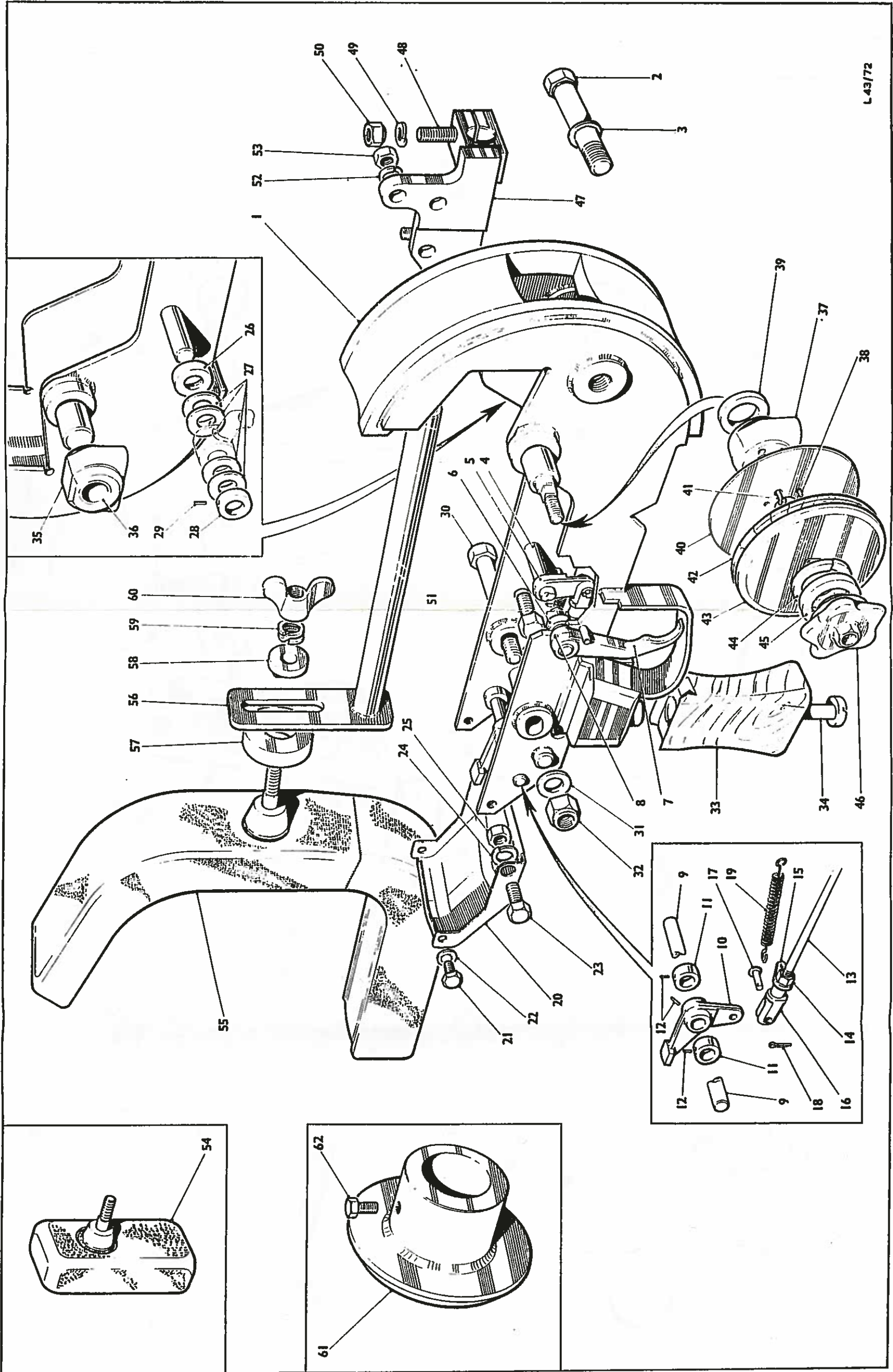
# MACHINE GUN MOUNTING, No 8, Mk 1

RI



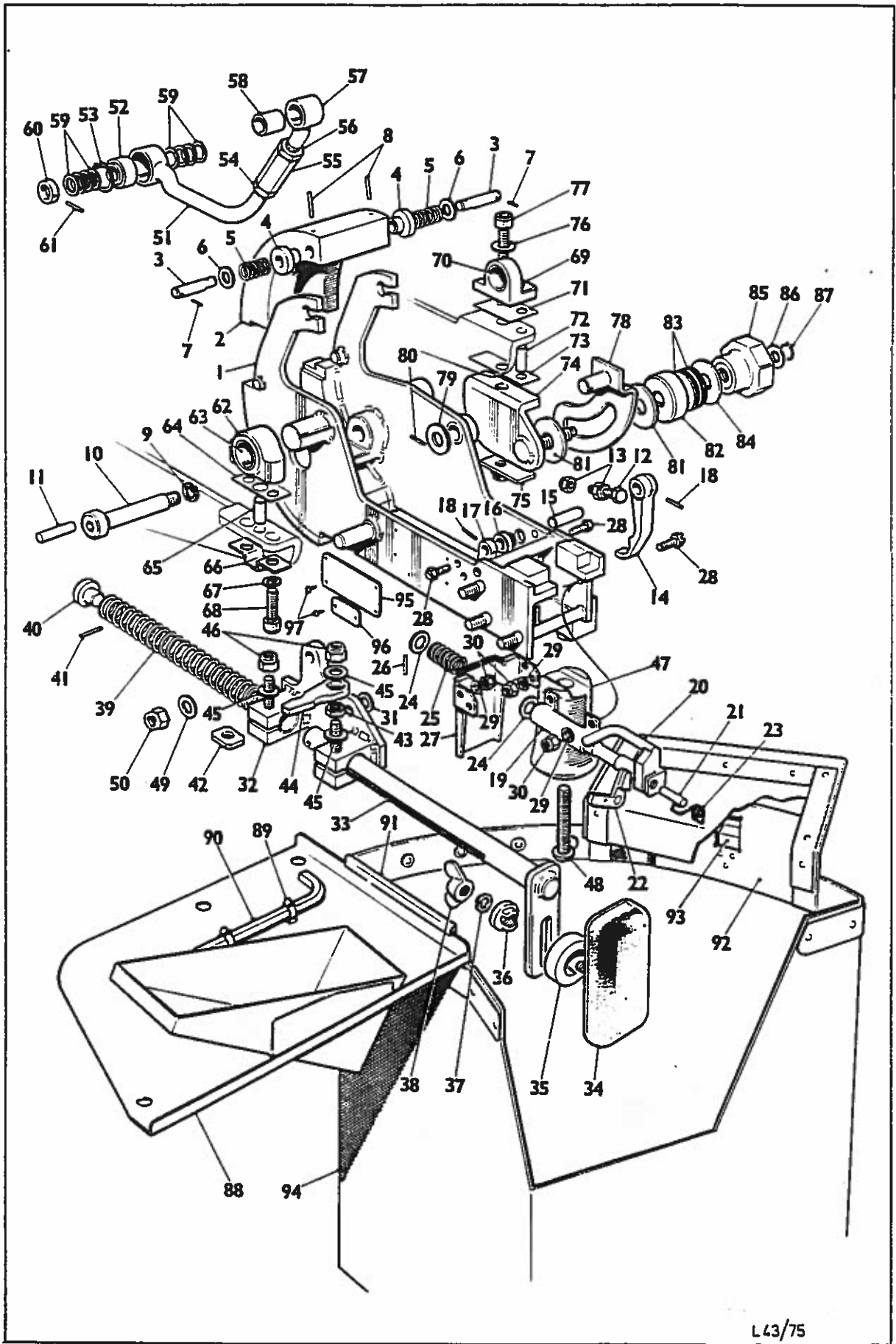
L43/71

MACHINE GUN MOUNTING, No.4. Mk.1 AND Mk.2



# MACHINE GUN MOUNTING No.6, Mk 1

R 3



L43/75

PERISCOPIC SIGHT MOUNTING, No12, MK1

