

GROUP

**P**

STOWAGE

STOWAGE

CONTENTS

	Page
EXTERNAL STOWAGE ... ..	P3
INTERNAL STOWAGE ... ..	P1

LIST OF ILLUSTRATIONS  
(NOTE:- THE TEXT DOES NOT NECESSARILY INCLUDE ALL THE ITEMS REFERENCED)

EXTERIOR, MK 1 AND MK 2 ... ..	P4
INTERNAL, MK 1 ... ..	P1
INTERNAL, MK 2 ... ..	P2
INTERNAL, MK 1 AND MK 2 ... ..	P3

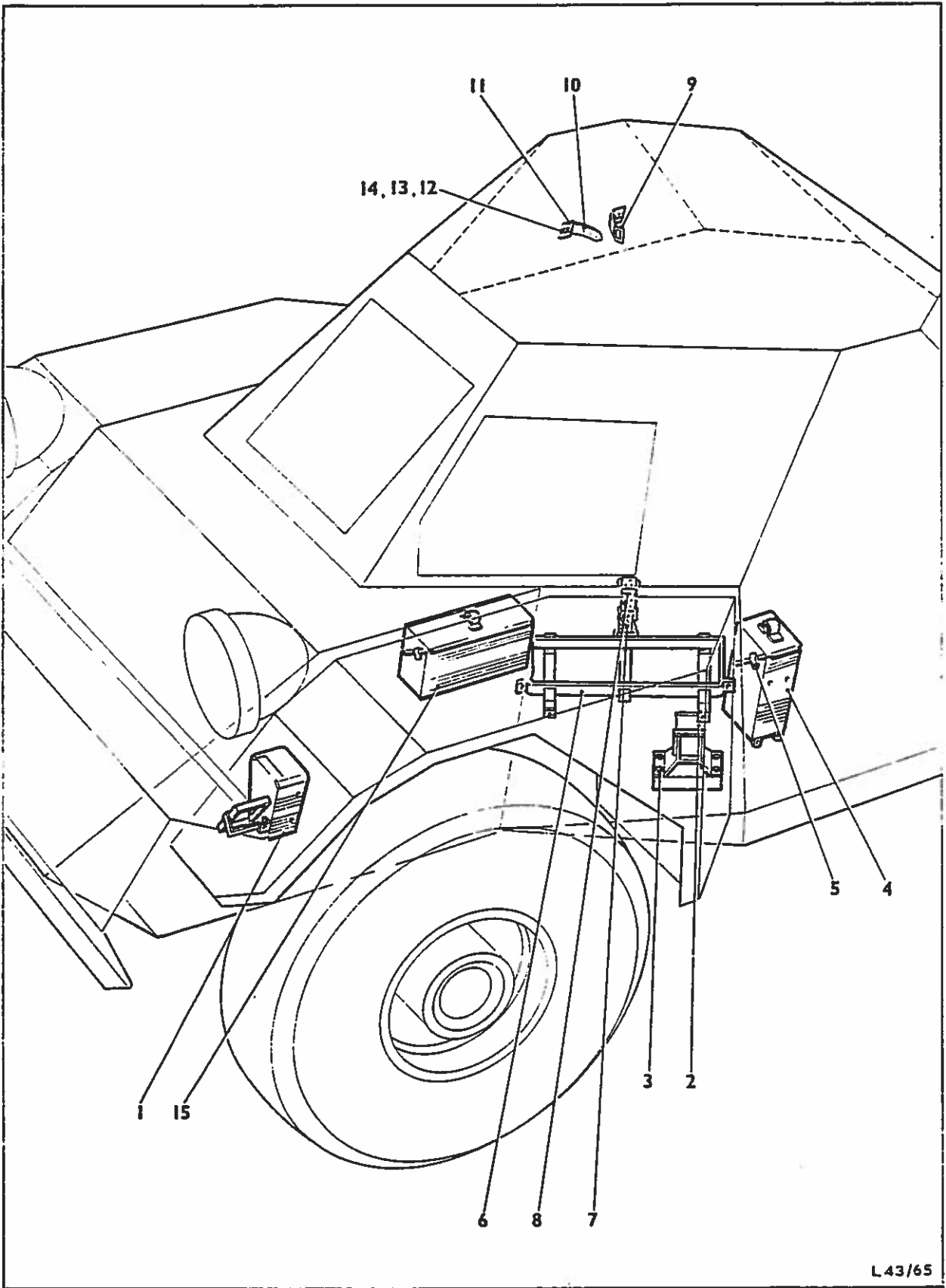
Item No.	Catalogue Number	Item Name	Item Description	No. Off	Plate Ref.	Drawing No.	Remarks
1		INTERNAL STOWAGE MK 1 and				P1	
2		MK 1/1 -					
3	LV9ASC/2590-99-815-7400	SUPPORT, BREN GUN	incl spare bulb box	1	1-15	FV58205	
4	LV6MT1/90247	FELT, WOOL, COMPRESSED	rot proofed, 1/8 in. thk	A/R	1		
5	G1GA/19171	WASHER, LOCK	steel, int, flat, zinc coated	3			) Support to hull
6	G1/5305-99-941-0523	SCREW, MACHINE	UNF, steel, hex hd, zinc coated, 5/16 in. x 1/2 in.	3			)
7	LV9ASC/FV50647	CRADLE, BREN GUN		3		FV50647	)
8	LV6MT1/90247	FELT, WOOL COMPRESSED	rot proofed, 1/8 in. thk	A/R	2		)
9	G1/5310-99-943-8479	WASHER, LOCK	steel, int, flat, zinc coated, 1/4 in.	4			) Cradle to hull
10	G1/5305-99-941-0511	SCREW, MACHINE	UNF, steel, hex hd, zinc coated, 1/4 in. x 1/2 in.	4	3		)
11							
12	LV9ASC/2540-99-815-7407	BOX, STOWAGE, VEHICULAR ACCESSORIES	bren magazines	1	4	FV58400	
13	LV9ASC/5340-99-815-6233	CLIP, SPRING TENSION		2	5	FV50689	
14	G1GA/11300	RIVET, SOLID	steel, flat hd, tinmans 3/32 in. x 5/16 in.	6			
15	LV6MT1/8305-99-802-2201	FELT, WOOL, COMPRESSED	rot proofed, 1/4 in. thk	A/R			
16	LV6MT1/90247	FELT, WOOL, COMPRESSED	rot proofed, 1/8 in. thk	A/R			
17	G1GA/19171	WASHER, LOCK	steel, int, flat, zinc coated, 5/16 in.	4			)
18	G1/5305-99-941-0523	SCREW, MACHINE	UNF, steel, hex hd, zinc coated, 5/16 in. x 1/2 in.	4			) Box to hull
19							)
20	LV6MT1/78478	STRAP, WEBBING	cotton, 1 in. w x 30 in. lg	1	8		)
21	LV9ASC/5310-99-815-7229	PLATE, WASHER, PLAIN	3/4 in. w x 1 in. lg x 31/64 in. thk	2			)
22	G1/5305-99-941-7087	SCREW, MACHINE	UNC, steel, hex hd, zinc coated, no. 10 x 5/8 in.	2			) Box to support
23	G1/5310-99-120-2311	WASHER, LOCK	steel, int, flat, zinc coated, 3/16 in.	2			)
24	G1/5310-99-941-6702	NUT, PLAIN, HEXAGON	UNC, steel, zinc coated, no. 10	2			)
25	LV6MT1/5340-99-801-8095	STRAP, WEBBING	1 in. w x 6 in. lg, w/buckle	3	9		)
26	M3/MC8169	STRAP, WEBBING	1 in. w x 15 in. lg, w/brass end	3	10		)
27	LV9ASC/5310-99-815-7229	PLATE, WASHER, PLAIN	strap fixing	12	11	FV50666	)
28	G1/5305-99-941-7087	SCREW, MACHINE	UNF, steel, hex hd, zinc coated, no. 10 x 5/8 in.	12	12		) Water bottle fixing
29	G1/5310-99-120-2311	WASHER, LOCK	steel, int, flat, zinc coated, 3/16 in.	12	13		)
30	G1/5310-99-941-2417	NUT, PLAIN, HEXAGON	UNF, steel, zinc coated, no. 10	12	14		)
31							)
32	LV9ASC/2540-99-815-7396	BOX, STOWAGE, VEHICULAR ACCESSORIES	no. 80 grenade lid fastener	1	15	FV58153	
33	LV9ASC/5340-99-815-6233	CLIP, SPRING TENSION	lid fastener support	2		FV50689	
34	LV9ASC/FV50690	CLIP, SPRING TENSION	steel, flat hd, tinmans, 3/32 in. x 5/16 in.	14			
35	G1GA/11300	RIVET, SOLID	rot proofed, 1/8 in. thk	A/R			
36	LV6MT1/90147	FELT, WOOL, COMPRESSED					
37							
38		INTERNAL STOWAGE MK 2, MK 2/3 AND MK 2/6				P2	
39	LV9ASC/2540-99-815-7381	BOX, STOWAGE, VEHICULAR ACCESSORIES	spare bulbs	1-9			
40	G1/5305-99-941-0696	SCREW, MACHINE	UNF, steel, hex hd, zinc coated, 5/16 in. x 1/2 in.	1	1	FV55477	)
41	G1GA/19171	WASHER, LOCK	steel, int, flat, zinc coated, 5/16 in.	3			) Box to hull
42	LV9ASC/2540-99-815-7411	BOX, STOWAGE, VEHICULAR ACCESSORIES		3			)
43	LV6MT1/8305-99-802-2201	FELT, WOOL, COMPRESSED	0.30 ammunition bin, rh	1	2	FV59161	)
44	G1/5306-99-941-6597	BOLT, MACHINE	rot proofed, 1/4 in. thk	A/R			)
45	G1/5305-99-941-6549	SCREW, MACHINE	UNF, steel, hex hd, zinc coated, 3/8 in. x 1-3/8 in.	2			) Box to door
			UNF, steel, hex hd, zinc coated, 3/8 in. x 7/8 in.	2			)

Item No.	Catalogue Number	Item Name	Item Description	No. Off	Plate Ref.	Drawing No.	Remarks
1						P2	
2		INTERNAL STOWAGE MK 2, MK 2/3 AND MK 2/6 - Contd					
3	G1/5310-99-120-2521	WASHER, LOCK	steel, int, flat, zinc coated, 3/8 in.	4			) Box to door
4	G1/5310-99-941-0926	NUT, PLAIN, HEXAGON	UNF, steel, zinc coated, 3/8 in.	4			)
5	LV9ASC/2540-99-815-7402	BOX, STOWAGE, VEHICULAR ACCESSORIES	ammunition box container	1	3	FV58338	)
6	G1/5305-99-941-0523	SCREW, MACHINE	UNF, steel, hex hd, zinc coated, 5/16 in. x 1/2 in.	4			) Box to hull
7	G1GA/19171	WASHER, LOCK	steel, int, flat, zinc coated, 5/16 in.	4			)
8	LV9ASC/2540-99-815-7416	BOX, STOWAGE, VEHICULAR ACCESSORIES	0.30, ammunition bin, left rot proofed, 1/4 in. thk	1	4	FV59346	)
9	LV6MT1/8305-99-802-2201	FELT, WOOL, COMPRESSED	UNF, steel, hex hd, zinc coated, 3/8 in. x 1-5/8 in.	A/R			)
10	G1/5306-99-941-0312	BOLT, MACHINE	UNF, steel, hex hd, zinc coated, 3/8 in. x 1-5/8 in.	2			)
11	G1/5305-99-941-6549	SCREW, MACHINE	UNF, steel, hex hd, zinc coated, 3/8 in. x 7/8 in.	2			) Box to hull
12	G1/5310-99-120-2521	WASHER, LOCK	steel, int, flat, zinc coated, 3/8 in.	2			)
13	G1/5310-99-941-0926	NUT, PLAIN, HEXAGON	UNF, steel, zinc coated, 3/8 in.	4			)
14	LV9ASC/2540-99-815-7404	BOX, STOWAGE, VEHICULAR ACCESSORIES	sighting periscope rot proofed, 1/8 in. thk lid fastener	1	5	FV58340	)
15	LV6MT1/90247	FELT, WOOL, COMPRESSED	lid fastener	A/R			)
16	LV9ASC/5340-99-815-6233	CLIP, SPRING TENSION	lid fastening support	1	6	FV50689	)
17	LV9ASC/FV50690	CLIP, SPRING TENSION	steel, flat hd, tinmans, 3/32 in. x 5/16 in.	2		FV50690	)
18	G1GA/11300	RIVET, SOLID		11			)
19	LV9ASC/2590-99-815-7417	CONTAINER AND POCKET, WIRELESS SET	no. 28 W/T	1	7	FV59388	) Periscope and wireless containers to hull
20	G1/5305-99-941-0523	SCREW, MACHINE	UNF, steel, hex hd, zinc coated, 5/16 in. x 1/2 in.	1			)
21	G1GA/19171	WASHER, LOCK	steel, int, flat, zinc coated, 5/16 in.	5			)
22	LV6MT1/5340-99-801-8095	STRAP, WEBBING	1 in. w x 5 in. lg, w/brass end	2			)
23	M3/MC8169	STRAP, WEBBING	1 in. w x 12 in. lg, w/brass end	2	6		)
24	LV9ASC/5310-99-815-7229	PLATE, WASHER, PLAIN	strap fixing	2		FV50666	) Water bottle fixing
25	G1/5305-99-941-7087	SCREW, MACHINE	UNF, steel, hex hd, zinc coated, no. 10 x 5/8 in.	8			)
26	G1/5310-99-120-2311	WASHER, LOCK	steel, int, flat, zinc coated, 3/16 in.	8			)
27	G1/5310-99-941-2417	NUT, PLAIN, HEXAGON	UNF, steel, zinc coated, no. 10	2			)
28	LV9ASC/2540-99-815-7396	BOX, STOWAGE, VEHICULAR ACCESSORIES	no. 28 grenade lid fastener	1		FV53153	)
29	LV9ASC/5340-99-815-6233	CLIP, SPRING TENSION	lid fastener support	2		FV50669	)
30	LV9ASC/FV50690	CLIP, SPRING TENSION	steel, flat hd, tinmans, 3/32 in. x 5/16 in.	2			)
31	G1GA/11300	RIVET, SOLID	rot proofed, 1/8 in. thk	14			)
32	LV6MT1/90247	FELT, WOOL, COMPRESSED	oil can	A/R			)
33	LV9ASC/2540-99-815-7386	BOX STOWAGE, VEHICULAR ACCESSORIES	steel, int, flat, zinc coated, 5/16 in.	1		FV55599	) Container to feed tray
34	G1GA/19171	WASHER, LOCK	UNF, steel, zinc coated, 5/16 in.	2			)
35	G1/5310-99-941-0914	NUT, PLAIN, HEXAGON		2			)
36						P3	
37						1-15	
38	LV9ASC/2590-99-815-7451	INTERNAL STOWAGE, ALL MARKS - BRACKET, STIRLING GUN BRACKET		1	1	FV55986	)
39				1		FV857461	) Replaces FV55986 WSE
40	LV9ASC/2540-99-815-7259	COVER ASSEMBLY, CANVAS, STEEN GUN		1	2	FV58544	)
41	LV9ASC/2590-99-815-7425	BACK, STOWAGE, VEHICULAR		1	3	FV58643	)
42	G1/5305-99-941-0523	SCREW, MACHINE	UNF, steel, hex hd, zinc coated, 5/16 in. x 1/2 in.	3			) Rack to hull
43	G1GA/19171	WASHER, LOCK	steel, int, flat, zinc coated, 5/16 in.	3			)

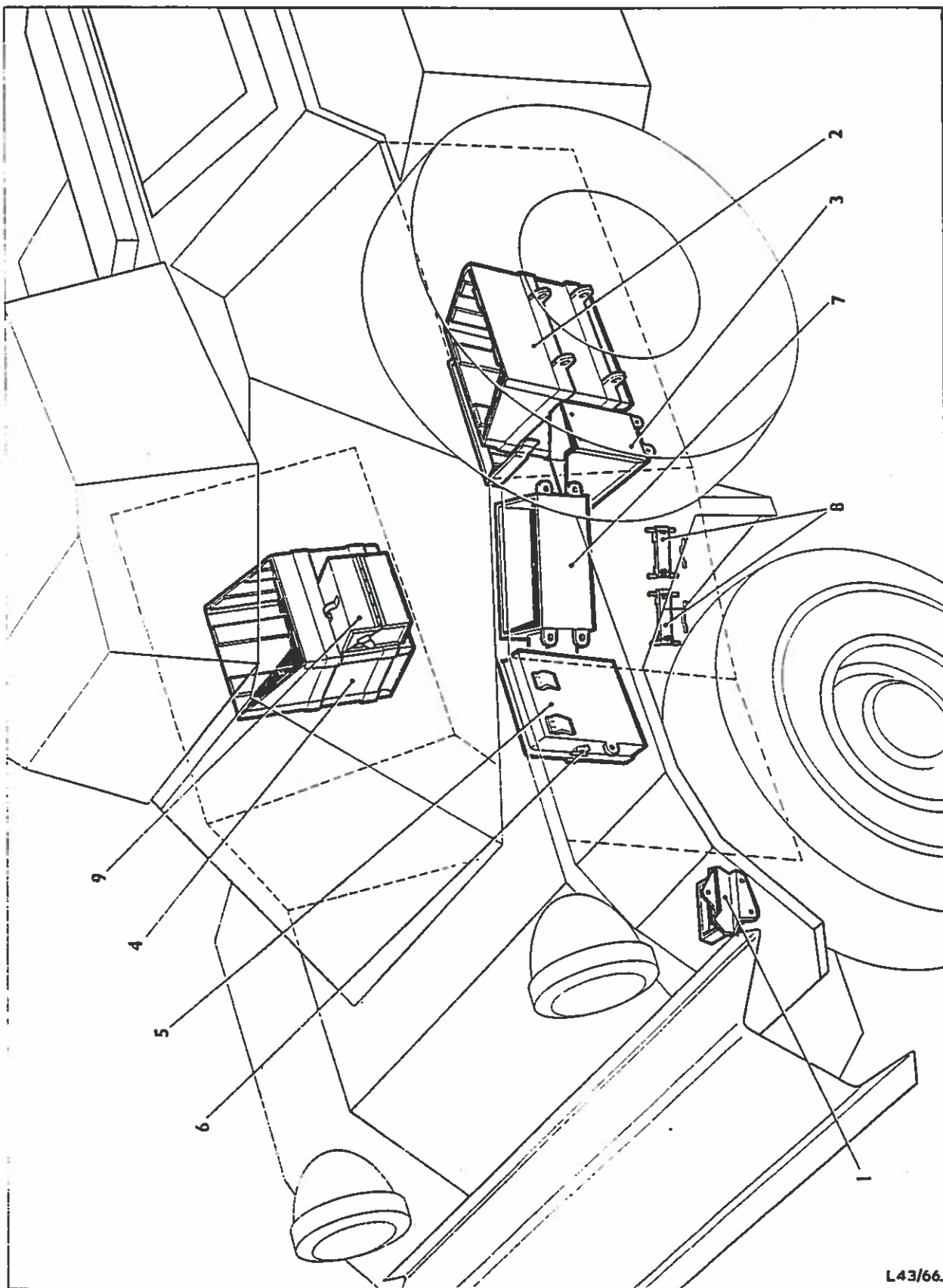
Item No.	Catalogue Number	Item Name	Item Description	No. Off	Plate Ref.	Drawing No.	Remarks
1		INTERNAL STOWAGE, ALL MARKS - Contd				P3	
2	LV9ASC/2540-99-815-7396	BOX, STOWAGE, VEHICULAR ACCESSORIES	no. 80 grenade	1	4	FV58153	
3	LV9ASC/5340-99-815-6233	CLIP, SPRING TENSION	lid fastener	2		FV50689	
4	LV9ASC/FV50690	CLIP, SPRING TENSION	lid fastener support	2			
5	G1GA/11300	RIVET, SOLID	steel, flat hd, tinmans, 3/32 in. x 5/16 in.	14			
6	LV6MT1/902L7	FELT, WOOL, COMPRESSED	rot proofed, 1/8 in. thk	as req			
7							
8	LV9ASC/2540-99-815-7394	BOX, STOWAGE, VEHICULAR ACCESSORIES	no. 36 grenade	2	5	FV58142	
9	LV9ASC/5340-99-815-6233	CLIP, SPRING TENSION	lid fastener	4	6	FV50689	
10	LV9ASC/50690	CLIP, SPRING TENSION	lid fastener support	4			
11	G1GA/11300	RIVET, SOLID	steel, flat hd, tinmans, 3/32 in. x 5/16 in.	28			
12							
13	LV9ASC/2540-99-815-7408	BOX, STOWAGE, VEHICULAR ACCESSORIES	first aid	1	7	FV58432	
14	LV6MT1/8305-99-802-2201	FELT, WOOL, COMPRESSED	rot proofed, 1/4 in. thk	as req			
15							
16	LV9ASC/2510-99-315-634E	BOX, STOWAGE, VEHICULAR ACCESSORIES	side visor screens	1	8	FV55327	
17	LV6MT1/902L7	FELT, WOOL, COMPRESSED	rot proofed, 1/8 in. thk	as req			
18							
19	LV9ASC/2540-99-815-7437	BOX, STOWAGE, VEHICULAR ACCESSORIES	no. 17, Mk 3 periscope	1	9	FV58716	
20	LV9ASC/5340-99-315-6233	CLIP, SPRING TENSION	lid fastener	2		FV50689	
21	G1GA/11300	RIVET, SOLID	steel, flat hd, tinmans, 3/32 in. x 5/16 in.	6			
22	LV6MT1/8305-99-802-2201	FELT, WOOL, COMPRESSED	rot proofed, 1/4 in. thk	as req			
23	LV9ASC/2540-99-315-7398	BRACKET ASSEMBLY, THERMOS FLASK		1	10	FV58163	
24	G1/5305-99-941-0523	SCREW, MACHINE	UNF, steel, hex hd, zinc coated, 5/16 in. x 1/2 in.	13			} First aid. side visor, periscope, thermos to hull
25	G1GA/19171	WASHER, LOCK	steel, int, flat, zinc coated, 5/16 in.	13			
26	LV6MT1/2540-99-800-7633	HOLDER, OIL CAN		1	11	FV51589	
27	G1/5305-99-941-1737	SCREW, MACHINE	UNF, steel, csk hd, slotted, zinc coated, no.10 x 3/8in.	2			} Oil can to hull
28	LV9ASC/2540-99-315-7260	BOX, STOWAGE, VEHICULAR ACCESSORIES	right; w/bin	1	12	FV59041	
29	LV9ASC/2540-99-315-7261	BOX, STOWAGE, VEHICULAR ACCESSORIES	left; w/bin	1	13	FV59042	
30	LV9ASC/2540-99-315-7257	CUSHION, SEAT, VEHICULAR	8-1/2 in. w x 8-27/32 in. lg x 3/4 in. thk; right	1	14		
31	LV9ASC/2540-99-315-7256	CUSHION, SEAT, VEHICULAR	8-1/2 in. w x 8-27/32 in. lg x 3/4 in. thk; left	1	15		
32	G1/5310-99-101-7838	WASHER, FLAT	steel, zinc coated, 1/4 in.	12			} Box to hull cushion to box
33	G1/5310-99-948-2014	NUT, SELF-LOCKING, HEXAGON	UNF, steel, hex hd, nylon insert, zinc coated, 1/4in.	12			
34						P4	
35		EXTERNAL STOWAGE ALL MARKS -				1-33	
36	LV9ASC/2590-99-866-2279	BOX, STOWAGE, VEHICULAR ACCESSORIES	first aid	1	1	FV541286	
37	LV9ASC/5340-99-815-6233	CLIP, SPRING TENSION	lid fastener	2		FV50689	
38	G1GA/11300	RIVET, SOLID	steel, flat hd, tinmans, 3/32 in. x 5/16 in.	6			
39	G1/5305-99-941-0524	SCREW, MACHINE	UNF, steel, hex hd, zinc coated, 5/16 in. x 5/8 in.	4			} Box to hull
40	G1/5310-99-941-8386	WASHER, FLAT	steel, zinc coated, 5/16 in.	4			
41	G1/5310-99-941-3525	NUT, SELF-LOCKING, HEXAGON	UNF, steel, zinc coated, nylon insert, 5/16 in.	4			
42	LV9ASC/2540-99-815-7377	PILLAR ASSEMBLY, SAND CHANNEL		2	2	FV55404	
43	G1/5305-99-941-0540	SCREW, MACHINE	UNF, steel, hex hd, zinc coated, 3/8 in. x 7/8 in.	8			} Pillar to hull
44	G1/5310-99-120-2521	WASHER, LOCK	steel, int, flat, zinc coated, 3/8 in.	8			
45	LV9ASC/5340-99-815-8050	HANDLE, CLAMPING, SAND CHANNEL		2	3	FV51271	
46	LV9ASC/2540-99-815-7384	STOWAGE ASSEMBLY, ANTENNAE ROD		1	4-8	FV55555	
47	LV9ASC/2590-99-815-7365	CAP, ANTENNAE ROD CONTAINER		2	5	FV51569	
48	G1GA/15082	CHAIN, SOLID LINK	brass	as req	6		
49	G1GA/14230	RING, SPLIT	steel, 3/4 in. id	4	7		

Item No.	Catalogue Number	Item Name	Item Description	No. Off	Plate Ref.	Drawing No.	Remarks
1		EXTERNAL STOWAGE ALL					
2		MARKS - Contd			P4		
3	LV9ASC/2590-99-815-7456	STOWAGE ASSEMBLY, ANTENNAE					
4	LV9ASC/2590-99-815-7456	RODE - Contd					
5	LV9ASC/5340-99-815-7364	DISC, SOLID, PLAIN	rubber, 1-3/10in. dia x 1/16in. thk	2	8	FV52689	
6	LV9ASC/5340-99-815-7364	BLOCK, PACKING	antennas rod	2	9	FV51566	
7	G1/5305-99-941-0286	STRAP, RETAINING	steel, 0.500in. w x 2.350in. lg	2	10	FV51568	
8	G1/5310-99-943-8479	BOLT, MACHINE	UNF, steel, hex hd, zinc coated, 1/4in. x 2in.	4			Antennas rod to hull
9	G1/5310-99-943-8479	WASHER, LOCK	steel, int, flat, zinc coated, 1/4in.	4			
10	G1/5310-99-941-0924	NUT, PLAIN, HEXAGON	UNF, steel, zinc coated, 1/4in.	4			Pick and shovel to hull
11	M3/MC8825	STRAP, WEBBING	1in. w x 12in. lg; w/buckle and tip	2	11		
12	LV9ASC/2590-99-815-7362	END STOP, PICK HELVE STOWAGE		1	12	FV51556	
13	G1/5305-99-941-0524	SCREW, MACHINE	UNF, steel, hex hd, zinc coated, 5/16in. x 5/8in.	4			End stop to hull
14	G1GA/19171	WASHER, LOCK	steel, int, flat, zinc coated, 5/16in.	4			
15	LV9ASC/2540-99-815-7383	SOCKET ASSEMBLY, PICK HELVE		1	13	FV55554	
16	G1/5305-99-941-6548	SCREW, MACHINE	UNF, steel, hex hd, zinc coated, 3/8in. x 3/4in.	2	14		Socket assembly to hull
17	G1/5310-99-120-2521	WASHER, LOCK	steel, int, flat, zinc coated, 3/8in.	2			
18	LV9ASC/5340-99-815-8054	CLAMP, PICK HEAD		1	15	FV51410	
19	LV6MT1/2540-99-800-6480	HOLDER, LITERATURE		1	16	TD26930	
20	G1/5305-99-941-6545	SCREW, MACHINE	UNF, steel, hex hd, zinc coated, 5/16in. x 3/4in.	4	17		Literature holder to hull
21	LV9ASC/5330-99-815-6229	WASHER, NONMETALLIC	rubber, 5/16in. id x 7/8in. w x 3/16in. thk	4	18		
22	LV9ASC/5310-99-104-3846	WASHER, FLAT	steel, 11/32in. id x 1in. od x 8/100in. thk	4	19		
23	G1GA/19171	WASHER, LOCK	steel, int, flat, zinc coated, 5/16in.	4	20		
24	G1/5310-99-941-0925	NUT, PLAIN, HEXAGON	UNF, steel, zinc coated, 5/16in.	4	21		Camouflage net, water container, bedding roll and Browning tripod to hull
25	LV6MT1/5340-99-801-8095	STRAP, WEBBING	1in. w x 6in. lg; w/buckle	9	23		
26	M3/MC8008	STRAP, WEBBING	1in. w x 30in. lg; w/brass end	8	24		
27	M3/MC8169	STRAP, WEBBING	1in. w x 15in. lg; w/brass end	1	25		
28	LV9ASC/5310-99-815-7229	PLATE, WASHER, PLAIN	strap fixing	36		FV50666	
29	G1/5305-99-941-7087	SCREW, MACHINE	UNF, steel, hex hd, zinc coated, no. 10 x 5/8in.	36			
30	G1/5310-99-120-2311	WASHER, LOCK	steel, int, flat, zinc coated, 3/16in.	36			
31	G1/5310-99-941-2417	NUT, PLAIN, HEXAGON	UNF, steel, zinc coated, no. 10	36			
32	LV9ASC/2510-99-815-6331	PLUG, SECURING MACHINE GUN		1		FV51954	
33	LV9ASC/5315-99-815-6332	TRIPOD		1		FV51956	
34	G1/5315-99-944-0172	FIN, STRAIGHT, HEADLESS	steel, Cd plated, 3/8in. dia x 2in. lg	1			
35	LV9ASC/2540-99-815-7447	FIN, COTTER, SPLIT	steel, phosphated, 1/16in. dia x 7/8in. lg	2			
36	LV9ASC/2540-99-815-7447	BOX, STOWAGE, VEHICULAR	rear, left	1	26	FV59647	
37	LV9ASC/2540-99-815-7450	ACCESSORIES	rear, right	1	27	FV59651	
38	LV9ASC/2540-99-815-7448	BOX, STOWAGE, VEHICULAR	front, left	1	28	FV59648	
39	LV9ASC/2540-99-815-7449	ACCESSORIES	front, right	1	29	FV59649	
40	LV9ASC/2540-99-815-7350	BOX, STOWAGE, VEHICULAR	escape door	1	30	FV59595	
41	LV9ASC/5340-99-815-7360	ACCESSORIES		1		FV51398	
42	G1GA/18943	STOWAGE BOXES -		1	31		Box lid to box
43	G1/5315-99-944-0172	BOLT ASSEMBLY, CLAMP	UNF, steel	1			
44	LV9ASC/5330-99-815-7457	NUT, PLAIN, WING	steel, phosphated, 1/16in. dia x 7/8in. lg	1			
45	LV9ASC/5330-99-815-7457	FIN, COTTER, SPLIT	1/2in. w x 68in. lg x 4/10in. thk	1		FV56037	Box to hull
46	LV6MT1/88506	PLUG, SCREWED	BSP.F, brass, hex socket hd, 1/2in.	5			
47	LV9ASC/5330-99-815-6328	GASKET	copper; drain plug	5		FV51892	

Item No.	Catalogue Number	Item Name	Item Description	No. Off	Plate Ref.	Drawing No.	Remarks
1		EXTERNAL STOWAGE ALL MARKS - Contd					
2	G1/5340-99-910-8185	PADLOCK	steel, galv finish, four lever type, 1-1/2in.	8		P4	
3	G1/5305-99-941-6546	SCREW, MACHINE	UNF, steel, hex hd, zinc coated, 5/16in. x 3/4in.	34			} Bins to hull and wings
4	G1/5305-99-941-7063	SCREW, MACHINE	UNF, steel, hex hd, zinc coated, 5/16in. x 1/2in.	9			
5	G1/19171	WASHER, LOCK	steel, int, flat, zinc coated, 5/16in.	9			
6	G1/5310-99-941-8386	WASHER, FLAT	steel, zinc coated, 5/16in.	32			} Bins to wings
7	G1/5310-99-941-3199	NUT, SELF-LOCKING, HEXAGON	UNF, steel, nylon insert, zinc coated, 5/16in.	16			
8	LV9ASC/5330-99-815-6226	WASHER, NONMETALLIC	synthetic rubber, 5/16in. id x 7/8in. od x 3/16in. thk	18		FV50550	} Bins to hull
9	ZP/5310-99-815-3846	WASHER, FLAT	steel, 11/32in. id x 1in. od x 0.080 in. thk	18		FV51647	
10	LV9ASC/5340-99-866-2277	SPACER, SLEEVE	steel, 13/32in. id x 1/4in. od x 3/8in. lg	8		FV53571	
11	LV9ASC/5330-99-815-6220	RING, SEALING, TOROIDAL	synthetic rubber, 3/8in. id x 5/16in. h	8		FV50267	} Bin to escape door
12	LV9ASC/5310-99-866-2278	WASHER, FLAT	steel, 25/64in. id x 1-1/8in. od x 8/100 in. thk	req		FV53572	
13	G1/5310-99-941-3304	NUT, SELF-LOCKING, HEXAGON	UNF, steel, nylon insert, zinc coated	8			
14	LV6MT1/4210-99-881-7335	BRACKET, FIRE EXTINGUISHER	UNF, steel, hex hd, zinc coated, no. 10 x 5/8in.	2	32	FV351285	} Bracket to hull
15	G1/5305-99-941-7087	SCREW, MACHINE	steel, int, flat, zinc coated, 3/16in.	6			
16	G1/5310-99-120-2311	WASHER, LOCK		6			
17	LV6MT1/4210-99-801-0428	EXTINGUISHER, FIRE, VAPORIS-ING LIQUID	1.2 pints, bromochloromethane	2	33	FV421229	







# INTERNAL-Mk1 AND Mk2

