

**GROUP
C
FUEL SYSTEM**

FUEL SYSTEM

CONTENTS

	Page
AIR CLEANER	C7
CARBURETTOR	C4
FUEL PUMP	C3
FUEL TANK	C1
NON-RETURN VALVE AND ATOMISER	C7
Fluid Pressure Filter	C1
Fuel Gauge	C2
Pipe Assembly	C1
KICASS SYSTEM	C5

LIST OF ILLUSTRATIONS

(NOTE:- THE TEXT DOES NOT NECESSARILY INCLUDE ALL THE ITEMS REFERENCED)

	Plate
CARBURETTOR	C3
FUEL PUMP	C2
FUEL TANK	C1
NON RETURN VALVE AND ATOMISER	C4

Item No.	Catalogue Number	Item Name	Item Description	No. Off	Plate Ref.	Drawing No.	Remarks
1		FUEL TANK AND FITTINGS					
2	NP	TANK, FUEL	w/ filter		C1		
3	LV9ASC/2910-99-815-7577	TANK, FUEL, ENGINE			1-2B	FV59501	
4	NP	FILTER	w/ bracket	1	1	FV59468	
5	LV6MT12/2910-99-807-5753	FILTER, FLUID, PRESSURE		1	2-21	FV54967	
6	LV6MT12/2910-99-807-5756	FILTER BODY, FLUID		1	2-16	FV182431	
7	LV6MT12/2910-99-807-5760	PLUG, SCREWED	drain	1	2-3	FV182434	
8	LV6MT12/5330-99-808-4655	WASHER, NONMETALLIC	drain plug	1	4	FV182441	
9	G2/9505-99-943-7135	WIRE	steel, soft, 20 gauge	1	5	AGS568/A	
10	LV6MT12/2910-99-807-5758	SPRING, HELICAL, COMPRESSION		as req			
11	LV6MT12/2910-99-807-5754	FILTER ELEMENT, FLUID, PRESSURE		1	6	FV182438	
12	LV6MT12/2910-99-807-5761	COVER, FLUID FILTER ELEMENT		1	7-10	FV182432	
13	LV6MT12/2910-99-807-5768	PAD, FILTER ELEMENT	top	1	7	VK/A44536	
14	LV6MT12/2910-99-807-5667	CASING, FLUID FILTER ELEMENT		1	8	VK/A47392	
15	LV6MT12/2910-99-807-5767	FILTER ELEMENT, FLUID, PRESSURE	outer	1	9	VK/B29922	
16	LV6MT12/2910-99-807-5670	CASE, FILTER ELEMENT	felt	1		VK/B47389	
17	LV6MT12/2910-99-807-5768	PAD, FILTER ELEMENT	inner	1		VK/A29969	
18	LV6MT12/2910-99-807-5762	COVER, FLUID FILTER ELEMENT		1		VK/A47392	
19	LV6MT12/5330-99-807-5662	WASHER, NONMETALLIC	lower	1	10	VK/A44537	
20	LV6MT12/5310-99-807-5763	NUT, PLAIN, WING		1		V5/A29202	
21	LV6MT12/2910-99-807-5668	GASKET	UNS, brass, Cd plated, 1/2 in.	1		VK/A44540	
22	LV6MT12/2910-99-807-5755	HEAD, FLUID FILTER	filter top	1		VK/A29931	
23	LV6MT12/2910-99-807-5476	GASKET	filter hd	1	11	FV182433	
24	G1/5310-99-913-3207	WASHER, FLAT	clamp nut	1	12	FV182437	
25	LV6MT12/5310-99-807-5757	NUT, CLAMP	UNS, brass, Cd plated, 3/8 in.	1	13		
26	LV6MT12/4730-99-807-5759	PLUG, SCREWED	air release	1	14	VK/A44521	
27	LV6MT12/5330-99-807-5764	WASHER, NONMETALLIC	air release plug	1	15	VK/A44523	
28	LV9ASC/2910-99-815-7580	PACKING PIECE		1	16	VK/A44704	
29	LV9ASC/2910-99-815-7571	PLATE, INSTRUCTION		1	17	VK/A53290	
				1	18	FV58424	Petrol filter support bracket
30	G1/5305-99-941-0698	SCREW, MACHINE	UNC, steel, hex hd, zinc coated, 5/16 in. x 3/4 in.	3			Filter to bracket
31	G1/GA19171	WASHER, LOCK	steel, int, flat, zinc coated, 5/16 in.	3			
32	LV6MT1/EN/B1714T	TAP	fuel, 3 way, BSP.F, 3/8 in. ext	3			Tap to bracket
33	G1/5305-99-941-0512	SCREW, MACHINE	UNF, steel, hex hd, zinc coated, 1/4 in. x 5/8 in.	1	19		
34	G1/5310-99-943-8479	WASHER, LOCK	steel, int, flat, zinc coated, 1/4 in.	2			
35	G1/5310-99-941-0913	NUT, PLAIN, HEXAGON	UNF, steel, zinc coated, 1/4 in.	2			
36	LV9ASC/2910-99-815-7562	PIPE ASSEMBLY	tap to filter	2			
37	LV6MT1/4710-99-801-0704	PIPING, STEEL	3/8 in. od x 7-5/16 in.	1	20	FV55594	
38	LV6MT1/4730-99-801-1481	NUT, UNION, PIPE	BSP.F, 3/8 in.	as req		FV55594/1	
39	LV6MT1/4730-99-801-1472	FERRULE, BRAZING-SOLDERING, PIPE FITTING		1		FV51246	
40	LV9ASC/4730-99-815-7558	BOLT, FLUID PASSAGE	3/8 in.	1		FV51243	
41	LV9ASC/4730-99-815-7559	WASHER, FLAT	BSP.F, brass, 3/8 in. Al, 0.660 in. id	1	21	FV51276	
42	G1/5305-99-941-0524	SCREW, MACHINE		2		FV51277	Fluid passage bolt
43	G1/GA19171	WASHER, LOCK	UNF, steel, hex hd, zinc coated, 5/16 in. x 5/8 in.	4	22		Bracket to tank
44			steel, int, flat, zinc coated, 5/16 in.	4			
45	LV9ASC/2910-99-815-7579	PIPE ASSEMBLY	tank to tap	1	23	FV59481	
46	LV6MT1/4710-99-801-0704	PIPING, STEEL	3/8 in. od x 46 in.	as req			
47	LV6MT1/4730-99-801-1481	NUT, UNION, PIPE	BSP.F, 3/8 in.	1		FV51246	
48	LV6MT1/4730-99-801-1472	FERRULE, BRAZING-SOLDERING, PIPE FITTING		1		FV51243	

Item No.	Catalogue Number	Item Name	Item Description	No. Off	Plate Ref.	Drawing No.	Remarks
1		FUEL TANK - Contd				C1	
2		TANK, FUEL - Contd					
3	LV9ASC/2910-99-815-7569	PIPE ASSEMBLY	reserve to tap	1	24	FV58414	
4	LV6MT1/4710-99-801-0704	PIPING, STEEL	3/8 in. od	as req			
5	LV6MT1/4730-99-801-1481	NUT, UNION, PIPE	BSP.F, 3/8 in.	1		FV51246	
6	LV6MT1/4730-99-801-1472	FERRULE, BRAZING-SOLDERING, PIPE FITTING	3/8 in.	1		FV51243	
7							
8	LV9ASC/4730-99-815-7558	BOLT, FLUID PASSAGE	BSP.F, brass, 3/8 in.	2	25	FV51276	Pipes to tank
9	LV9ASC/4730-99-815-7559	WASHER, FLAT	A1	4		FV51277	
10	LV6MT1/88506	PLUG	BSP.F, brass, hex, socket hd, 1/2 in.	2	26	FV51892	Fuel tank
11	LV9ASC/5330-99-815-6328	GASKET	copper, BSP, 1/2 in.	2			
12	LV6MT1/SM1591FG	TANK-UNIT, FUEL GAUGE		1	27-28		
13	LV6MT1/6680-99-801-9235	COVER, TERMINAL BOARD		1	27	SM/FG1992M	Top plate to potentiometer
14	LV6MT1/6680-99-801-9236	GROMMET AND SEALING WASHER		1		SM/FG1993	
15	LV6MT1/6680-99-800-0311	POTENTIOMETER	fuel tank	1		SM/FG2440	
16	LV6MT1/PG490	RING, RUBBER		1			
17	LV6MT1/6680-99-801-9162	GASKET	cork, 3 in. id x 4-1/4 in. od x 0.062 in. thk	1	28	SM/FG558	
18	G1/5305-99-941-1066	SCREW, MACHINE	UNF, steel, hex hd, Cd plated, 1/4 in. x 1/2 in.	1			Tank unit to tank
19	G1/5310-99-941-7647	WASHER, LOCK	steel, int, flat, Cd plated, 1/4 in.	1			
20	G1/5305-99-941-6190	SCREW, MACHINE	UNF, steel, hex hd, zinc coated, no. 10 x 1/2 in.	11			
21	G1/5310-99-120-2311	WASHER, LOCK	steel, int, flat, zinc coated, 3/16 in.	11			
22	G1/5305-99-941-7933	SCREW, MACHINE	BA, steel, ch hd, slotted, Cd plated, no. 2 x 7/16 in.	2			
23	LV9ASC/2910-99-815-7552	GASKET	rubber bonded cork, 3.40 in. id x 4.30 in. od x 0.062 in. thk	1	29	FV50785	
24	LV9ASC/2910-99-815-7551	FILLER, NECK		1	30	FV50781	
25	G1/5305-99-941-0513	SCREW, MACHINE	UNF, steel, hex hd, zinc coated, 1/4 in. x 3/4 in.	6	31		
26	G1/5310-99-943-8479	WASHER, LOCK	steel, int, flat, zinc coated, 1/4 in.	6			
27	LV9BLC/2910-99-848-2558	STRAINER ELEMENT, SEDIMENT	fuel tank	1	32		
28	LV9BLC/5340-99-848-2559	RING, RETAINING	chain to adaptor	1			
29	LV9BLC/2910-99-848-2555	CAP, FUEL TANK		1	33	FV15523	
30	G1/GA15082	CHAIN	brass, no. 4	as req			
31	G1/GA14230	RING, KEEP, SPLIT	steel, 3/4 in. id	2			
32	LV9BLC/5330-99-848-2560	WASHER, NONMETALLIC	filler cap	1			
33	LV9ASC/2910-99-815-7573	PIPE ASSEMBLY	filter to junction	1	34	FV58498	
34	LV6MT1/4710-99-801-0704	PIPING, STEEL	3/8 in. od	as req			
35	LV6MT1/4730-99-801-1481	NUT, UNION, PIPE	BSP.F, 3/8 in.	1			
36	LV6MT1/4730-99-801-1472	FERRULE, BRAZING-SOLDERING, PIPE FITTING	3/8 in.	1			
37	LV9ASC/4730-99-815-7558	BOLT, FLUID PASSAGE	BSP.F, brass, 3/8 in.	1		FV51276	Filter
38	LV9ASC/5310-99-815-7559	WASHER, FLAT	A1, 0.660 in. id	2		FV51277	
39	LV9ASC/2910-99-815-7561	UNION AND MOUNTING PLATE ASSEMBLY		1	35	FV51651	
40							
41	LV9ASC/2910-99-815-7568	PIPE ASSEMBLY	union to pump	1	36	FV58412	
42	LV6MT1/4710-99-801-0704	PIPING, STEEL	3/8 in. od	as req			
43	LV6MT1/4730-99-801-1481	NUT, UNION, PIPE	BSP.F, 3/8 in.	2			
44	LV6MT1/4730-99-801-1472	FERRULE, BRAZING-SOLDERING, PIPE FITTING	3/8 in.	2			
45	LV6MT6/4720-99-805-7772	HOSE, RUBBER	synthetic, 1/2 in. id x 25/32 in. od	as req	37		Fuel tank breather
46	LV6MT1/4730-99-942-9463	CLAMP, HOSE	steel, Cd plated, 5/8 in. to 7/8 in.	2	38		
47							
48	LV6MT1/2910-99-815-7572	PIPE ASSEMBLY	engine manifold to junction	1	39	FV58497	
49	LV6MT1/4710-99-801-0703	PIPING, STEEL	3/16 in. od	as req			
50	LV6MT1/4730-99-801-1478	NUT, UNION, PIPE	BSP.F, 1/8 in.	2			Kigass
51	LV6MT1/4730-99-801-1469	FERRULE, BRAZING-SOLDERING, PIPE FITTING	3/16 in.	2			
52	LV9ASC/2910-99-815-7554	MOUNT, RESILIENT	rh	2		FV51250	Front supports fuel tank
53	LV9ASC/5340-99-815-7555	MOUNT, RESILIENT	lh	2	40	FV51251	

Item No.	Catalogue Number	Item Name	Item Description	No. Off	Plate Ref.	Drawing No.	Remarks
1							
2							
3	LV9ASC/2910-99-815-7550	FUEL TANK - Contd SHIH	fuel tank	A/R	41	FV50533)
4	G1/5305-99-941-0424	SCREW, MACHINE	UNF, steel, hex hd, zinc coated, 5/16 in. x 3/4 in.	8) Resilient mounting to tank
5	G1/GA19171	WASHER, LOCK	steel, int, flat, zinc coated, 5/16 in.	8)
6	G1/5305-99-941-7916	BOLT, MACHINE	UNF, hex hd, zinc coated, 3/8 in. x 1-7/8 in.	4) Resilient mounting to hull
7	G1/5310-99-941-3304	NUT, SELF-LOCKING, HEXAGON	UNF, nylon insert, 3/8 in.	4)
8	LV9ASC/5340-99-815-7553	MOUNT, RESILIENT		2		FV51239) Rear supports fuel tank
9	G1/5305-99-941-0537	SCREW, MACHINE	UNF, steel, hex hd, zinc coated, 3/8 in. x 1/2 in.	6)
10	G1/5310-99-120-2521	WASHER, LOCK	steel, int, flat, zinc coated, 3/8 in.	6)
11	NP	FLAME TRAP FUEL VENT VALVE ASSEMBLY					
12	LV6MT7/3110-99-806-0440	BALL, BEARING	cres, 5/8 in. dia	1		FV857451	
13	LV6MT12/2910-99-821-7244	NEEDLE VALVE, CARBURETTOR	2.5 mm needle seating, c/v 3 washers	1		RB15-875	
14	LV9AAD/5330-99-823-9896	GASKET	fiore, 1.260 in. id x 1.500 in. od x 0.507 in. thk	1		B19056Z	
15	LV9ASC/2910-99-827-6711	FLAME TRAP ELEMENT		1		FV820110	
16	LV9ASC/4730-99-827-6713	BOLT, FLUID PASSAGE	UNF, steel, Cd P, 5/8 in. x 3/8 in. lg	1		FV819945	
17	LV6MT1/5330-99-943-4400	WASHER, NONMETALLIC	5/8 in.	1		FV857454	
18	LV9ASC/4730-99-827-6712	CONNECTOR, MULTIPLE, FLUID PRESSURE LINE	steel, 2-1/16 in. lg, 9/16 in. thk, 5/8 in. dia bolt hole	2		FV857455	
19	LV9ASC/4720-99-830-9099	HOSE, PREFORMED	rubber, 15/32 in. id x 3/4 in. od x 23-3/4 in. lg	1		FV857453	
20	LV9ASC/4720-99-830-9098	HOSE, PREFORMED	rubber, 15/32 in. id x 3/4 in. od x 34-3/4 in. lg	1		FV900952	
21	LV6MT4/5340-99-805-7314	CLAMP, LOOP	steel, Cd P, 0.75 in. loop id	1		FV900951	
22	LV6MT4/5340-99-805-1036	CLAMP, LOOP	steel, Cd P, 0.75 in. loop id, 1-1/16 in. centres	1		187006) Lucas
23	LV6MT6/4720-99-943-9437	HOSE, RUBBER	synthetic rubber, 1/2 in. id	2		860864	
24	LV6MT1/4730-99-942-9463	CLAMP, HOSE	steel, Cd P, 5/8 in. to 7/8 in.	A/R			
25	G1/5305-99-941-6181	SCREW, MACHINE	UNF, steel, hex cak hd, zinc coated, 3/8 in. x 1 in. lg	2		FV857459/14	
26	G1/5305-99-941-1080	SCREW, MACHINE	UNF, steel, hex hd, Cd P, 5/16 in. x 3/4 in. lg	2			
27	G1/5310-99-101-8358	WASHER, LOCK	steel, ext, flat, zinc coated, 3/8 in.	1			
28	G1/5310-99-956-1786	WASHER, FLAT	steel, 5/16 in.	2			
29	G1/5310-99-202-9996	NUT, SELF-LOCKING, HEXAGON	UNF, steel, zinc coated, 5/16 in.	1			
30	G1/5310-99-135-6785	NUT, PLAIN, HEXAGON	UNF, steel, zinc coated, 3/8 in.	1			
31							
32	LV6MT12/2910-99-807-4909	PUMP, FUEL, CAM ACTUATED		2			
33	LV6MT12/2910-99-807-4863	END ASSEMBLY, FLANGED	P50, MK 1B	1	C2	FV143326	
34	LV6MT12/2910-99-807-8615	LEVER, PRIMING ASSEMBLY		1	1	SM/S97260	
35	LV6MT12/4730-99-807-4235	NUT, PACKING	BSP.F, brass, hex hd, 1/8 in.	1	8-9	SM/S6520A	
36	G1/5315-99-942-0378	PIN, COTTER, SPLIT	steel, phosphated, 1/16 in. x 3/4 in.	1	10	SM/S5595	
37	LV6MT12/2910-99-808-4354	PARTS, KIT, FUEL PUMP		1	13		
38	LV6MT12/5306-99-807-3919	BOLT, MACHINE	BA, steel, hex hd, zinc coated, no. 2 x 2-5/32 in.	1	17-27	SM/S10150)
39	G1/5310-99-941-6653	WASHER, LOCK	steel, single coil, sq sect., Cd plated, 3/16 in.	5	32	SM/S1216A) Valve chamber cover
40	Z2/5310-99-941-7070	NUT, PLAIN, HEXAGON	BA, steel, Cd plated, no. 2	5	33)
41	G1/5310-99-941-8882	WASHER, FLAT	Al, 0.830 in. id	5	34)
42	LV6MT10/4730-99-865-4323	REDUCER, PIPE	BSP.F, steel, 3/8 in. x 1/2 in.	4	35	RR/KB1092) Union inlet and outlet
				2	36	FV141952)

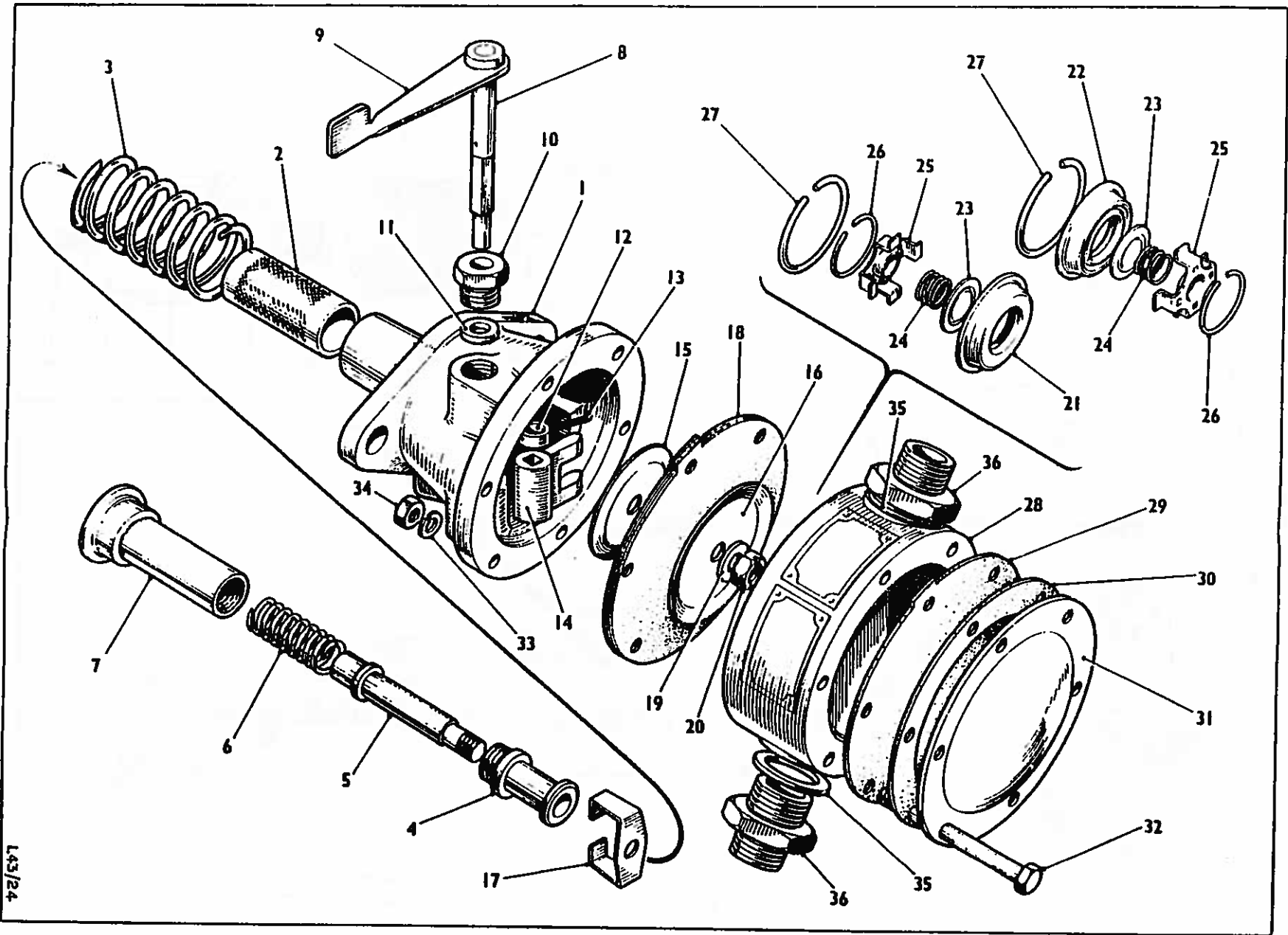
Item No.	Catalogue Number	Item Name	Item Description	No. Off	Plate Ref.	Drawing No.	Remarks
1				1		FV142755	
2	LV10/2910-99-865-2770	GASKET	fuel pump to adaptor	1) Fuel pump) to adaptor) studs
3	G1/5310-99-941-6655	WASHER, LOCK	steel, single coil, sq sect., 5/16 in.	2			
4	G1/5310-99-941-0925	NUT, PLAIN, HEXAGON	UNF, steel, zinc coated, 5/16 in.	2			
5	LV10/4730-99-865-4357	PIPE ASSEMBLY	pump to carburettor	1		FV144186	
6	LV6MT12/2910-99-807-6436	UNION, BANJO		1		SX/4120/10	
7	LV6MT1/4730-99-801-1472	FERRULE, BRAZING-SOLDERING, PIPE FITTING		1			
8	LV6MT1/4730-99-801-1481	NUT, UNION, PIPE	3/8 in. BSP-F, 3/8 in.	1		FV51243	
9	LV10/5340-99-865-2780	CLAMP, LOOP	fuel pipe	1		FV51246	
10	LV10/5340-99-865-2789	BUSHING, RUBBER	fuel pipe	1		FV142791	
11	G1/5310-99-941-0942	NUT, PLAIN, HEXAGON	UNF, steel, zinc coated, 1/4 in.	1		FV142792) Fuel pipe) clamp studs)
12	G1/5310-99-341-6654	WASHER, LOCK	steel, single coil, sq sect., 1/4 in.	1			
13					C3		
14	LV6MT12/2910-99-807-6428	CARBURETTOR, FLOAT TYPE		1	1-55	SX/40NN1P/ S1682	
15	NP	BODY, MAIN		1	1-32	SX/12542	
16	LV6MT12/2910-99-807-4969	SPINDLE, THROTTLE		1	2	SX/10639	
17	LV6MT12/2910-99-807-5836	BUTTERFLY, CARBURETTOR	brass, 40 mm dia	2	3	SX/52162	
18	LV6MT12/5340-99-807-5016	LOCKING PLATE, NUT AND BOLT	throttle spindle to butterfly	2	4	SX/10867	
19	LV6MT12/5305-99-807-5015	SCREW, MACHINE	throttle spindle to butterfly	2	4	SX/10867	
20	LV6MT12/2910-99-807-4971	SLEEVE, THROTTLE SPINDLE		2	5	SX/10866	
21	LV6MT12/5310-99-807-5010	WASHER	throttle spindle nut	2	6	SX/10641	
22	LV6MT12/2910-99-807-5023	LEVER	intermediate	2	7	SX/4031/L2	
23	LV6MT12/2910-99-807-4975	GASKET	throttle spindle dust cover	2	8	SX/10958	
24	LV6MT12/2910-99-807-9152	COVER, DUST	throttle spindle	2	9	SX/10645	
25	LV6MT12/2910-99-807-4974	SEAL, PLAIN, ENCASED	throttle spindle dust cover	2	9	SX/13119	
26	LV6MT12/5305-99-807-4805	SCREW, MACHINE	throttle spindle dust cover	2	10	SX/10644	
27	LV6MT12/2910-99-807-4973	PLATE, THROTTLE ABUTMENT	throttle spindle dust cover	2	10	SX/9245	
28	LV6MT12/2910-99-807-5058	LEVER, THROTTLE	butterfly, valve	1	11	SX/10642	
29	LV6MT12/5310-99-807-4151	WASHER, FLAT	throttle spindle and nut	2	12	SX/11496	
30	LV6MT12/5310-99-807-4149	NUT, PLAIN, CAP	throttle spindle	2	13	SX/4031	
31	LV6MT12/5305-99-807-4976	SCREW, SET	metric, steel, hex hd, slot drive, Cd plated, 5 mm x 18.5 mm	1	14	SX/4030) Slow) running
32	LV6MT12/5340-99-807-3529	SPRING, HELICAL, COMPRESSION	slow running adjustment	1	15	SX/10647	
33	LV6MT12/5305-99-807-4976	SCREW, SET	metric steel, hex hd, slot drive, Cd plated, 5 mm x 18.5 mm	1	14	SX/4384) Throttle) adjustment) Throttle) stop
34	LV6MT12/5310-99-807-3531	NUT, PLAIN, HEXAGON	metric, steel, Cd plated, 5 mm	2	16	SX/10647	
35	LV6MT12/2910-99-807-4973	VALVE, STARTER	carburettor	1	16	SX/3950	
36	LV6MT12/2910-99-807-5921	SPRING, HELICAL, COMPRESSION	air valve	1	17	SX/10650	
37	LV6MT12/2910-99-807-4987	VALVE, AIR	starter	1	18	SX/53058	
38	LV6MT12/2910-99-807-5137	COVER, STARTER, CARBURETTOR		1	19	SX/10673	
39	LV6MT12/5305-99-807-4860	SCREW, MACHINE	metric, brass, csk hd, slot drive, 4 mm x 9 mm	4	20	SX/12364) Starter) plate) Starter) valve) locating
40	LV6MT7/7110-99-806-1352	BALL, BEARING	steel, 3/16 in.	1	20	SX/9698	
41	LV6MT12/2910-99-807-3537	SPRING, HELICAL, COMPRESSION	valve locating ball	1	21	SX/51762	
42	LV6MT12/4770-99-807-6507	PLUG, SCREWED	bleed jet, air blank	1	22	SX/51274 /1	
43	LV6MT12/2910-99-807-5125	DIAPHRAGM, PUMP	w/spindle, nut and packing washers	2	23	SX/12272	
44	LV6MT12/5340-99-807-5918	SPRING, HELICAL, COMPRESSION	brass, diaphragm	2	24	SX/52880	
45	LV6MT12/2910-99-807-5031	COVER, PUMP	lh	1	25	SX/11034	
46	LV6MT12/2910-99-807-5032	COVER, PUMP	rh	1	26-28	SX/11038	
47	LV6MT12/5305-99-807-4860	SCREW, MACHINE	metric, brass, csk hd, slot drive, 4 mm x 9 mm	8	29	SX/9698) Pump) covers
48	LV6MT12/2910-99-807-5040	CONTROL ROD	pump	2	29	SX/11102	
49	LV6MT12/2910-99-807-5024	SPRING, HELICAL, COMPRESSION	pump control rod	2	30	SX/10962) Pump) control rod
50	G1/5315-99-944-0171	PIN, COTTER, SPLIT	steel, phosphated, 1/16 in. x 5/8 in.	4			

Item No.	Catalogue Number	Item Name	Item Description	No. Off	Plate Ref.	Drawing No.	Remarks
1							
2		CARBURETTOR, FLOAT TYPE -				C3	
3		Contd					
4	LV6MT12/5310-99-807-5907	BODY, MAIN - Contd					
5	G1/5315-99-942-0383	WASHER, FLAT	steel, 4.2 mm	2	31	SX/52760) Pump
6	LV6MT12/5310-99-807-6553	PIN, COTTER, SPLIT	steel, phosphated, 3/32 in. x 1 in.	4) control
7	LV6MT12/5305-99-807-3548	NUT, SLEEVE	metric, brass, hex, 4 mm	2	32	SX/52815) rod
8	LV6MT12/2910-99-807-6474	SCREW, MACHINE	metric, steel, flat fillister, cone point, Cd plated, 6 mm x 11 mm	2		L1) Choke
9	LV6MT12/2910-99-807-4968	PLUG, SLOW RUNNING		1		SX/50362) tube
10	LV6MT12/2910-99-807-9144	GASKET	pump dust cover	1	33	SX/50496	
11	LV6MT12/2910-99-807-4988	COVER, DUST, CARBURETTOR PUMP		1	34	L1	
12	LV6MT12/5305-99-807-3535	SEAL, DUST COVER		1		SX/13118	
13	LV6MT12/5305-99-807-3562	SCREW, MACHINE	metric, steel, hex hd, Cd plated, 5 mm x 7 mm	2		SX/10679	
14	LV6MT12/5310-99-807-4454	SCREW, MACHINE	metric, steel, flat fillister hd, slot drive, Cd plated, 6 mm x 27 mm	7		SX/51760	
15	LV6MT12/2910-99-807-3571	WASHER, FLAT	brass, 1/4 in. id	1		SX/50893/1	
16	LV6MT12/5305-99-807-3535	LEVER, STARTER VALVE	carburettor	1	35	SX/7135	
17	LV6MT12/5310-99-807-3564	SCREW, MACHINE	metric, steel, hex hd, Cd plated, 5 mm x 7 mm	1	36	SX/9862) Cable
18	LV6MT12/5310-99-807-3532	WASHER, FLAT	steel, Cd plated, 8.2 mm	1	37	SX/51760) fixing
19	LV6MT12/2910-99-807-7296	NUT, PLAIN, HEXAGON	metric, steel, 8 mm	1	38	SX/4031/1) Starter
20	LV6MT12/2910-99-807-8419	EMULSION TUBE	main jet	2	39	SX/4024) spindle
21	LV6MT12/2910-99-807-3547	JET, METERING	main and starter	2	40	SX/52043/L12	
22	LV6MT12/2910-99-807-4794	HOUSING, MAIN JET		2	41	SX/50552/6/130	
23	LV6MT12/2910-99-807-8347	WASHER, FLAT	Al, 11.1 mm	2	42	SX/50820) Main jet
24	LV6MT12/2910-99-807-8364	JET, METERING	main jet	2		SX/9194) plug
25	LV6MT12/5310-99-807-4965	JET, METERING	normal	1	43	SX/51612/190) Starter
26	LV6MT12/2910-99-807-8310	WASHER, FLAT	Al, 9.3 mm	1	44	SX/52823/180) Starter
27	LV6MT12/2910-99-807-3565	JET, METERING	air bleed auxiliary	2	45	SX/10593	
28	LV6MT12/5310-99-807-3516	JET, METERING	auxiliary	2	46	SX/50794/4/55	
29	LV6MT12/5340-99-807-3520	NEEDLE VALVE, AIR CONTROL		2	47	SX/51274/1/150) Volume
30	LV6MT12/2910-99-807-3463	SPRING, HELICAL, COMPRESSION	volume control screw	2	48	SX/52858) screw
31	LV6MT12/2910-99-807-4979	JET, METERING	rich circuit	1		SX/4384	
32	LV6MT12/2910-99-807-4923	EMULSION TUBE, STARTER		1		SX/51274/1/120	
33	LV6MT12/2910-99-807-4980	NUT, GLAND	packing	1	49	SX/10653	
34	LV6MT12/2910-99-807-5020	GLAND, CARBURETTOR PACKING	altitude needle	1		SX/10662	
35	LV6MT12/2910-99-807-5835	NEEDLE, ALTITUDE		1	50	SX/10655	
36	LV6MT12/2910-99-807-5832	SPRING, HELICAL, COMPRESSION	altitude needle	1	51	SX/10898	
37	G1/5315-99-942-0383	WASHER, FLAT	copper, 5.1 mm	1	52	SX/51392) Float
38	LV6MT12/2910-99-807-4592	PIN, COTTER, SPLIT	steel, phosphated, 1/16 in. x 5/8 in.	1	53	SX/51287) spindle
39	LV6MT12/2910-99-807-6534	BALL, PUMP	glass, 4 mm	2	54	SX/8163	
40	LV6MT12/2910-99-807-4876	SCREW	ball retaining, pump	2	55	SX/51904/L1	
41	LV6MT12/2910-99-807-4592	VALVE, CHECK		2	56	SX/9829) Pump check
42	LV6MT12/2910-99-807-4965	BALL, PUMP	glass, 4 mm	2		SX/8163) valve
43	LV6MT12/2910-99-807-4965	WASHER, FLAT	Al, 9.3 mm	2	57	SX/10593	
44	LV6MT12/2910-99-807-5915	STRAINER ELEMENT, SEDIMENT		2	58	SX/52950	
45	LV6MT12/2910-99-807-5126	PUMP, ECONOMY		1	59-62	SX/12274	
46	LV6MT12/SX51412/6	SCREW	body, 16.5 mm	2	62		
47	G1/5315-99-942-0363	PIN, COTTER, SPLIT	steel, 1/32 in. x 3/8 in.	1			
48	LV6MT12/2910-99-807-4991	JET, CARBURETTOR, ECONOMY PUMP		1	63	SX/51274/L1/95	
49	LV6MT12/5305-99-807-4685	GASKET	pump base	1	64	SX/10688) Economy
		SCREW, MACHINE	starter cover	4	65	SX/8612) pump

Item No.	Catalogue Number	Item Name	Item Description	No. Off	Place Ref.	Drawing No.	Remarks
1					C3		
2		CARBURETTOR - Contd					
3	LV6MT12/2910-99-807-4986	FLOAT ASSEMBLY	carburettor	1	66	SX/10671	
4	LV6MT12/5305-99-807-4860	SCREW, MACHINE	metric, brass, csk hd, 4 mm x 11.5 mm	2		SX/9698)Float weights
5	LV6MT12/5305-99-807-5843	SPINDLE FLOAT		2	67	SX/51484	
6	LV6MT12/5310-99-807-4793	WASHER, FLAT	Al, 8.1 mm	2	68	SX/9193	
7	LV6MT12/2910-99-807-5049	COVER, FLOAT CHAMBER	w/nuts	1	69-72	SX/11308	
8	LV6MT12/5307-99-807-5048	STUD, PLAIN	float chamber	8	70	SX/11174	
9	LV6MT12/2910-99-807-4989	GASKET	float chamber cover	1	71	SX/10680	
10	LV6MT12/5305-99-807-3895	SCREW, MACHINE	metric, brass, csk oval hd, 4 mm x 4.7 mm	4		SX/1129)Gasket)fixing
11	LV6MT12/5310-99-807-5818	WASHER, RECESSED	float chamber	4		SX/51149	
12	LV6MT12/5310-99-807-5050	NUT, PLAIN, HEXAGON	UNF, steel, Cd plated, 1/4 in.	8		SX/11310)Float)chamber)cover stud
13	LV6MT12/5305-99-807-5806	SCREW, MACHINE	metric, steel, fillister hd, slot drive, Cd plated, 6 mm x 21 mm	2		SX/50893)Float)chamber)cover
14	LV6MT12/5310-99-807-4454	WASHER, FLAT	brass, 1/4 in. id	2		SX/7135	
15	LV6MT12/2910-99-807-7055	JET, METERING	speed	2	73	SX/10663	
16	LV6MT12/4730-99-807-4984	PLUG, SCREWED	speed jet	2	74	SX/10664	
17	LV6MT12/5310-99-807-4793	WASHER, FLAT	Al, 8.1 mm	2	75	SX/9193)Speed jet plug
18	LV6MT12/2910-99-807-6509	VALVE, NEEDLE	float chamber	1	76	SX/51305/8	
19	LV6MT12/5310-99-807-4797	WASHER, FLAT	Al, 15/32 in.	1			Needle valve
20	LV6MT12/4730-99-807-3559	BOLT, FLUID PASSAGE		1	77	SX/4122	
21	LV6MT12/5310-99-807-4842	WASHER, FLAT	Al, 12.1 mm	2	78	SX/9573)Fluid passage
22	LV6MT12/2910-99-807-3560	STRAINER ELEMENT, SEDIMENT		1		SX/4123)bolt
23	LV6MT12/4730-99-807-6436	UNION, BANJO		1	79	SX/4120/10	
24	LV6MT12/4730-99-807-5522	PLUG, SCREWED		1	80	SX/2134/1	
25	LV6MT12/2910-99-807-4843	WASHER, FLAT	Al, 12.1 mm	1		SX/9574)Connector banjo
26	LV6MT7/3110-99-806-1332	BALL, BEARING	steel, 3/16 in.	1	81)Altitude, lever
27	LV6MT12/2910-99-807-3537	SPRING, HELICAL, COMPRESSION	altitude lever	1	82	SX/51762	
28	LV6MT12/2910-99-807-4981	LEVER ASSEMBLY, ALTITUDE CONTROL		1	83	SX/10660	
29	LV6MT12/5306-99-807-4982	BOLT, MACHINE	altitude control lever	1	84	SX/10661	
30	G1/5310-99-941-6654	WASHER, LOCK	steel, single coil, sq sect., 1/4 in.	1	85)Altitude control lever
31	LV10/2805-99-865-4324	GASKET	carburettor to manifold	1		FV142024	
32	G1/5310-99-120-2304	WASHER, LOCK	steel, single coil, sq sect., zinc coated, 3/8 in.	4)Carburettor to manifold
33	G1/5310-99-941-6527	NUT, PLAIN, HEXAGON	UNF, steel, lock, zinc coated, 3/8 in.	4)
34	LV10/2805-99-865-2880	GASKET	air intake to carburettor	1		FV143148	
35	LV9ASC/2590-99-809-8517	AIR HORN ASSEMBLY	c/w flange and breather	1		FV668513	
36	LV9ASC/2540-99-815-7239	ANCHOR, ACCELERATOR RETURN SPRING		1		FV51535	
37	LV9ASC/2540-99-815-7240	ANCHOR, SPRING		1		FV51630	
38	G1/5310-99-941-6654	WASHER, LOCK	steel, single coil, sq sect., 1/4 in.	8)
39	G1/5310-99-941-0924	NUT, PLAIN, HEXAGON	UNF, steel, zinc coated, 1/4 in.	8)Air intake
40	LV10/2805-99-865-2813	PIPE, VENTILATING, DISTRIBUTOR	lower	1		FV142925	
41	LV10/2814-99-865-2814	PIPE, VENTILATING, DISTRIBUTOR	upper	1		FV142926	
42							
43							
44	LV10/2910-99-865-4358	KIGASS SYSTEM - PIPE ASSEMBLY	Kigass, non return valve to fiveway junction	1		FV144309	
45	LV6MT12/2910-99-807-3843	FERRULE, BRAZING - SOLDERING, PIPE FITTING		2			
46	LV6MT12/2910-99-807-3842	NUT, UNION, PIPE		2			
47	LV10/2910-99-865-4338	CONNECTOR, MULTIPLE FLUID PRESSURE LINE		1		FV142560	
48	LV10/2910-99-865-4342	PIPE ASSEMBLY	Kigass, fiveway connector to atomizer	1		FV142808)Intermediate front
49	LV6MT12/2910-99-807-3843	FERRULE, BRAZING - SOLDERING, PIPE FITTING		2			
50	LV6MT12/2910-99-807-3842	NUT, UNION, PIPE		2			

Item No.	Catalogue Number	Item Name	Item Description	No. Off	Plate Ref.	Drawing No.	Remarks
1							
2							
3	LV10/2910-99-865-4341	KIGASS SYSTEM - Contd PIPE ASSEMBLY	Kigass, five-way connector to atomizer				
4	LV6MT12/2910-99-807-3843	FERRULE, BRAZING - SOLDERING, PIPE FITTING		1		FV/142806) Front
5	LV6MT12/2910-99-807-3842	NUT, UNION, PIPE		2			
6				2			
7	LV10/2910-99-865-4337	PIPE ASSEMBLY	Kigass, five-way connector to atomizer				
8	LV6MT12/2910-99-807-3843	FERRULE, BRAZING - SOLDERING, PIPE FITTING		1		FV142802) Inter- mediate) rear
9	LV6MT12/2910-99-807-3842	NUT, UNION, PIPE		2			
10				2			
11	LV10/2910-99-865-4340	PIPE ASSEMBLY	Kigass, five-way connector to atomizer				
12	LV6MT12/4730-99-807-3843	FERRULE, BRAZING - SOLDERING, PIPE FITTING		1		FV142804) Rear
13	LV6MT12/4730-99-807-3842	NUT, UNION, PIPE		2			
14	LV10/5340-99-865-4295	CLAMP, LOOP	steel, rubber lined, 3/16 in. id	2			
15	LV10/5310-99-865-1619	WASHER, FLAT	steel, Cd plated, no. 2	5) Atomizer
16	G1/5310-99-944-0547	WASHER, LOCK	steel, single coil, sq sect., Cd plated, 3/16 in.	5) pipes
17	Z2/5310-99-941-7070	NUT, PLAIN, HEXAGON	BA, steel, Cd plated, no. 2	5)
18				5)
19	LV6MT12/2910-99-807-3816	VALVE, CHECK		1		C4)
20	LV6MT12/2910-99-807-3818	BODY, VALVE		1	1-7	KS/E657)
21	LV6MT12/4820-99-807-4063	DISC, VALVE, METALLIC		1	1	KS/D661)
22	LV6MT12/5340-99-807-4064	SPRING, HELICAL, COMPRESSION		1	2	KS/D1908)
23	LV6MT12/4730-99-807-3817	ADAPTOR, STRAIGHT, PIPE		1	3	KS/D1909)
24	G1/5310-99-941-8672	WASHER, FLAT		1	5	KS/E658)
25	LV6MT12/4730-99-807-3780	FERRULE, BRAZING - SOLDERING, PIPE FITTING	copper, 0.390 in.	1	4)
26	LV6MT12/4730-99-807-3826	NUT, UNION, PIPE		2	6	KS/E479)
27				2	7	KS/E702)
28	LV6MT12/2910-99-807-3815	NOZZLE, FUEL, PRESSURE ATOMIZING)
29	LV6MT12/2910-99-807-6385	STRAINER, SEDIMENT		4	8-11	KS/E647)
30	LV6MT12/4730-99-807-3820	PLUG, SCREWED		4	9	KS/F261/ 262)
31	LV6MT12/5310-99-807-4102	WASHER, FLAT	BSF, brass, 5/16 in.	4	11	KS/E667)
32	LV10/2805-99-865-2460	GASKET	copper, 5/16 in. atomizers	4	10	KS/E258/6)
33	G1/5310-99-944-0547	WASHER, LOCK	steel, single coil, sq sect., Cd plated, 3/16 in.	4	12	FV141694) Atomizer) to
34	Z2/5310-99-941-7070	NUT, PLAIN, HEXAGON	BA, steel, Cd plated, no. 2	3) induction
35				8) manifold
36							
37	LV6MT12/2940-99-808-2622	AIR FILTER AND FITTINGS - FILTER, AIR, INTAKE		1			
38	LV6MT12/2940-99-808-2623	BODY, FILTER AIR INTAKE		1	1-7	FV157577	
39	LV6MT12/2940-99-808-2625	TANK, OIL, FILTER, AIR INTAKE		1	1	FV157236	
40	LV6MT12/2940-99-808-2626	DAMPER, FILTER, AIR INTAKE		1	2	FV157202	
41	LV6MT12/2940-99-808-2624	FILTER, ELEMENT, AIR INTAKE		1	3	FV157204	
42	LV6MT12/2940-99-808-2629	GASKET	air filter cover	1	4	FV157200	
43	LV6MT12/2940-99-808-2628	COVER, FILTER, AIR INTAKE		2	5	FV157210	
44	LV6MT12/5305-99-808-2627	THUMBSCREW	air filter cover	1	6	FV157235	
45	LV9ASC/2940-99-815-8067	BRACKET, INTAKE AIR FILTER		4	7	FV157206	
46	G1/5305-99-941-0697	SCREW, MACHINE	UNC, steel, hex hd, zinc coated, 5/16 in. x 5/8 in.	1		FV55506	
47	G1/GA19171	WASHER, LOCK	steel, int, flat, zinc coated, 5/16 in.	4			
48	LV9ASC/5340-99-815-8068	STRAP RETAINING	air filter, lower mounting	4			
49	LV9ASC/2940-99-815-7711	BRACKET, INTAKE AIR FILTER		1		FV55752	
50	G1/5305-99-941-0697	SCREW, MACHINE	UNC, steel, hex hd, zinc coated, 5/16 in. x 5/8 in.	1		FV55753	
				6			

Item No.	Catalogue Number	Item Name	Item Description	No. Off	Plate Ref.	Drawing No.	Remarks
1		AIR FILTER AND FITTINGS -					
2		Contd					
3	G1/GA19171	WASHER, LOCK	steel, int, flat, zinc coated, 5/16 in.	6			
4	LV9ASC/2940-99-815-7706	BRACKET, EYE, NONROTATING SHAFT		1		FV51420)
5	G1/5310-99-941-0913	NUT, PLAIN, HEXAGON	steel, zinc coated, 1/4 in.	2) Strap to
6	G1/5310-99-943-8479	WASHER, LOCK	steel, int, flat, zinc coated, 1/4 in.	2) bracket
7	G1/5305-99-941-0566	SCREW, MACHINE	UNF, steel, hex nd, zinc coated, 1/2 in. x 1 in.	3) and
8	G1/GA19173	WASHER, LOCK	steel, int, flat, zinc coated, 1/2 in.	3) bracket to
9	LV9ASC/2940-99-815-7713	PIPE, AIR CLEANER		1		FV58274) hull
10	LV9ASC/2940-99-815-7705	JOINT, AIR CLEANER FLANGE		1		FV51161)
11	G1/5305-99-941-0696	SCREW, MACHINE	UNC, steel, hex hd, zinc coated, 5/16 in. x 1/2 in.	6			
12	G1/GA19171	WASHER, LOCK	steel, int, flat, zinc coated, 5/16 in.	6			
13	LV9ASC/2940-99-815-7567	PIPE, INTAKE	carburettor to filter	1		FV58402	

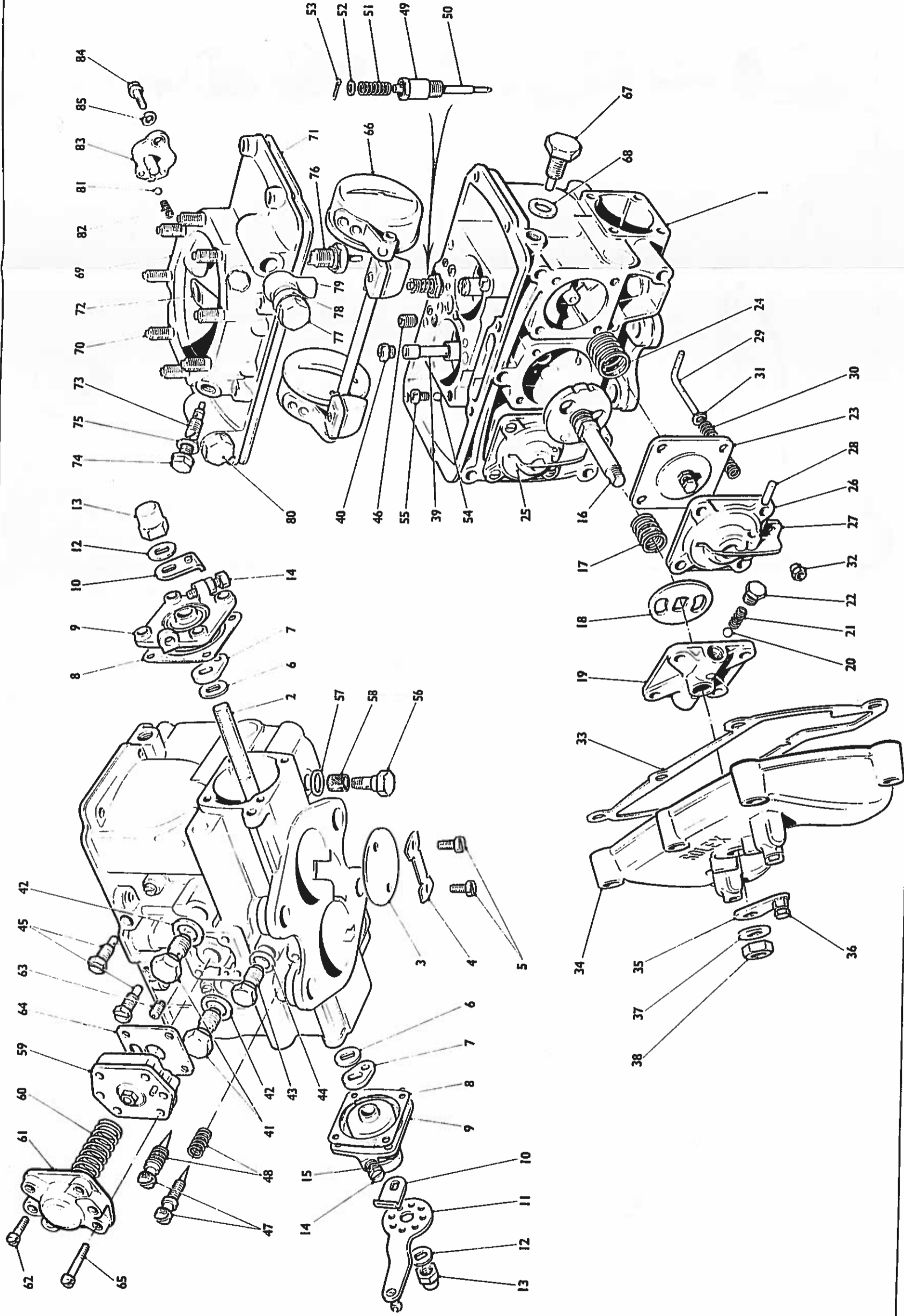


L43/24

FUEL PUMP

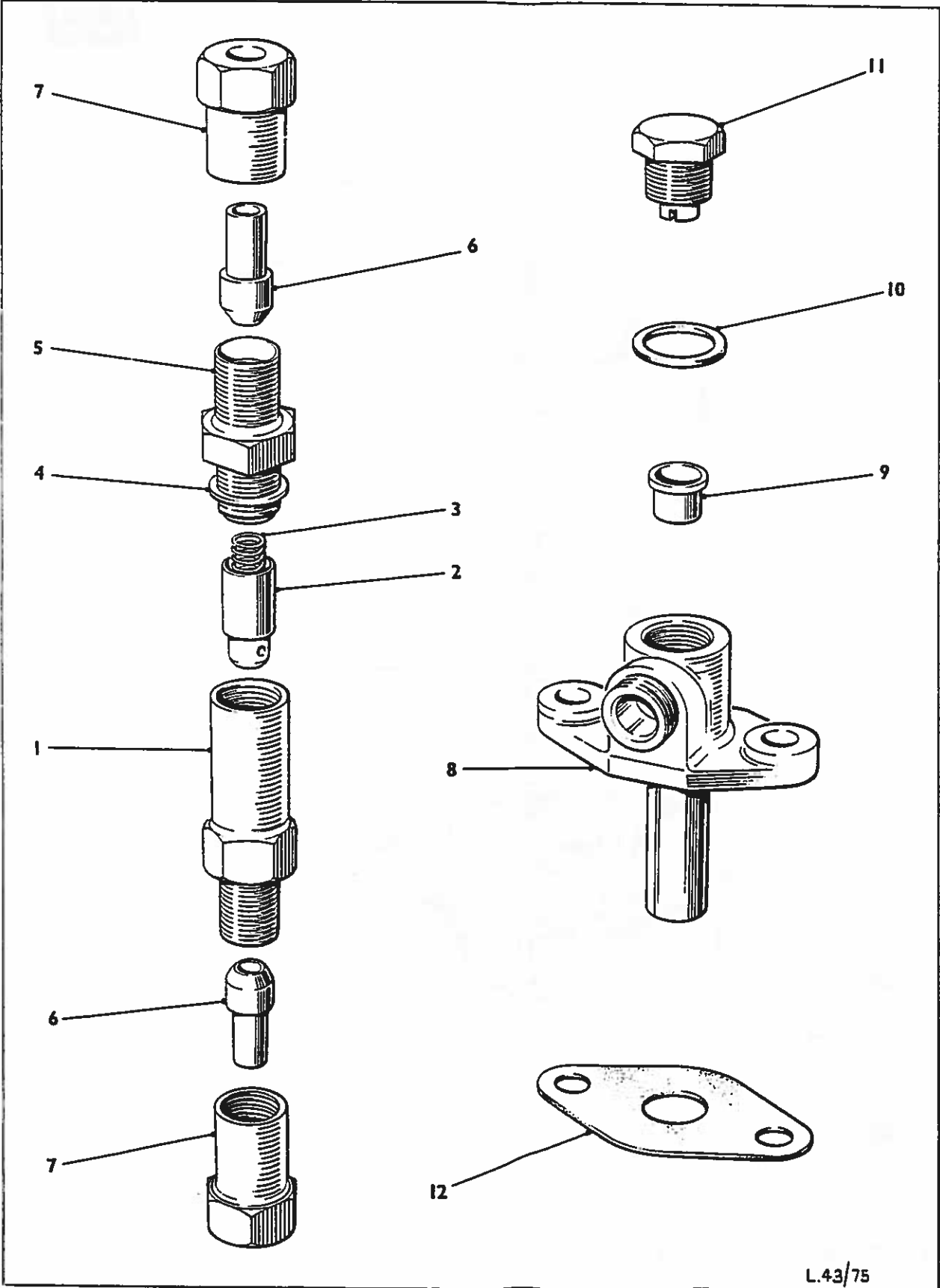
CARBURETTOR

C3



C4

NON-RETURN VALVE AND ATOMISER



L.43/75

Arät. 14992-1

AIR CLEANER

C5

